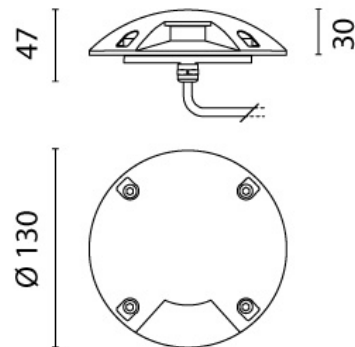


KAM130-1WW1



quantity lamps: 1

Light up with: SMD LED

System power: 1 W

Luminous flux: 36 lm

colour temperature: 3000 K

colour rendering index: CRI >80

Power supply: EVG

connection voltage: max 240 V

connected load: 4 W

system efficiency: 9 lm/W

energy efficiency: A++-A

protection class: 2

test certificates: CE

mechanical load: IK09

outside diameter: 130 mm

wall and ceiling cut: 225x128 mm

installation depth: 85 mm

weight: 0,60 kg

colour: white

version: 1 emission

protection type: IP67

Adresse/Kontakt