

DESCRIPTION OF PARTS

LED ceiling light/pendant luminaire round, switchable from 3000/4000K, incl. power supply unit

TECHNICAL DATA

LED incl. driver
220-240V 0/50 Hz, (suitable for central battery)
Beam angle 120°
Light color switchable/W/ØxH
UAL-35WWNWxx: 4000K/3000K/35W, Ø400xH86mm
UAL-49WWNWxx: 4000K/3000K/49W, Ø600xH86mm
UAL-60WWNWxx: 4000K/3000K/60W, Ø800xH86mm
UAL-100WWNWxx: 4000K/3000K/100W, Ø1000xH86mm

Opal PMMA Diffuser
EMC Emission: IEC/EN 61000-4-5
Flickering Index: <3% IEEE1789 RISK
CRI : ≥ 80
IP class: IP40
Protection class: I
Not dimmable

Accessories (included in scope of delivery for pendulum mounting)
Wire suspension:
UAL-S1: White, L3000 mm
UAL-S2: Black, L3000 mm

LAMP

The LED light agent cannot be replaced.

LED DRIVER

Primary voltage: 220V/50Hz



Protection class I



Notification of Risks



CE label



Safety Instructions



The product is only for use in interiors.



Cleaning Instructions



The product may not be disposed of in the household garbage.



It is not allowed to cover luminaires with heatinsulating cover sheet or similar materials!



Do not attach deco material.



Installation only by qualified and authorised persons.



Not dimmable

SAFETY



READ THE INSTRUCTIONS BEFORE USING THIS PRODUCT. KEEP THE SAFETY AND OPERATING INSTRUCTIONS FOR FUTURE USE.

THE DESCRIBED ARTICLE IS PART OF A BUILDING INSTALLATION. WHEN PLANNING AND INSTALLING ELECTRICAL SYSTEMS, THE RELEVANT STANDARDS AND GUIDELINES OF THE COUNTRY IN WHICH THE ARTICLE IS INSTALLED MUST BE OBSERVED. WE RESERVE THE RIGHT TO MAKE TECHNICAL AND FORMAL CHANGES TO THE PRODUCT, AS FAR AS THEY SERVE THE TECHNICAL PROGRESS.

SAFETY INFORMATION



The light is suitable for lighting purpose indoors.



The luminaire is not suitable for mounting on uneven surfaces, softboard. The light may otherwise fall. This can result in product damage and / or injuries. **Check the mounting surface and adjust the mounting material to the ground.**



Do not let children play with the packaging film. Children can get caught up in it and suffocate while playing.



Don't install under power.
Follow the instruction manual for installation.
Installation only by qualified and authorised persons.
Do not use the product when it has been damaged (defective covers) or there are operational faults such as flickering, smoking, steaming, crackling noises or the smell of smoke.
A damaged or defective product must be changed or repaired by the manufacturer, a service person or a comparable qualified person.
Installation only under observance of the valid guidelines specific to application and country among others VDE 0.100.
Never open one of the electrical operating agents or plug any objects into them. Such procedures signify a danger to life through electrical shock.



Absolutely avoid contact between the product and water or other liquids. For reasons of electrical safety, the light may not be placed in contact with water or other liquids or submerged in water.
The product may not be changed or modified.
Make sure that the luminaire is never covered by heat insulating mats or thin materials. Make sure that the product has enough space for heat dissipation.



MAINTENANCE AND CLEANING

The LED light agent cannot be replaced.



Do not use solvents, such as benzene and similar agents. The light would be damaged thereby.
Only use a dry, lint-free cloth for cleaning the product.

DISPOSAL

The packaging consists of environmentally friendly materials. Dispose of them in the local recycling containers.



Do not dispose of this product in the household garbage when it has reached the end of its lifecycle, but rather take it to a disposal center. Your local officials will provide you with information about collection offices and their business hours.



Keep foil packaging away from small children, there is a risk of suffocation.

UAL

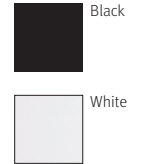
Pendant and ceiling luminaire

Ceiling mounting

UAL-37WWNW2 UAL-65WWNW2
UAL-37WWNW1 UAL-65WWNW1
UAL-49WWNW2 UAL-100WWNW2
UAL-49WWNW1 UAL-100WWNW1

Pendulum mounting

UAL-37WWNW32 UAL-65WWNW32
UAL-37WWNW31 UAL-65WWNW31
UAL-49WWNW32 UAL-100WWNW32
UAL-49WWNW31 UAL-100WWNW31



INTENDED USAGE

This product will only serve the purpose of illumination.

The luminaire is only suitable for use in interiors, in dry, enclosed rooms.

SCOPE OF DELIVERY

1 x LED luminaire incl. converter
1 x set of instructions for assembly, operation and safety

TECHNICAL CHANGES

Changes in the sense of technical progress can be made without prior notice.

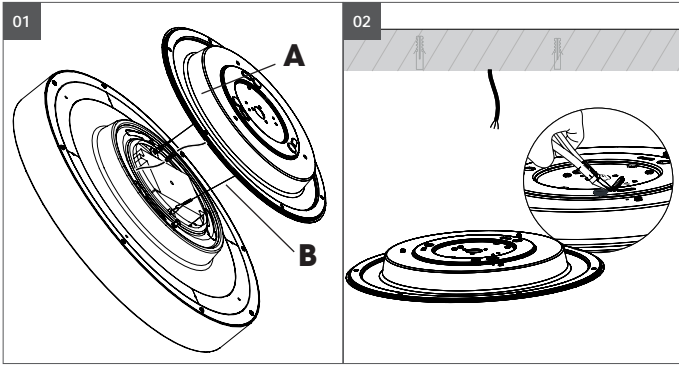
address | contact

A.L.S. GmbH
Mastorter Str. 31 | 88069 Tettnang (Germany)
Tel.: +49 (0) 75 42 93 44-0 | Fax.: +49 (0) 75 42 93 44-30
E-Mail: info@als.de | Web: www.als.de

Mounting instructions **ceiling mounting**

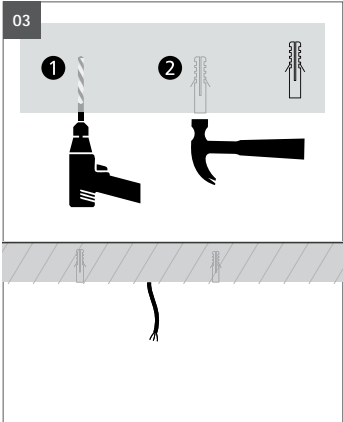


Turn off power supply before starting any installation. Do not connect the device under power.



01 Turn the mounting plate (A) on the back of the luminaire clockwise to open it. To facilitate mounting, release the two safety rope (B) from the luminaire.

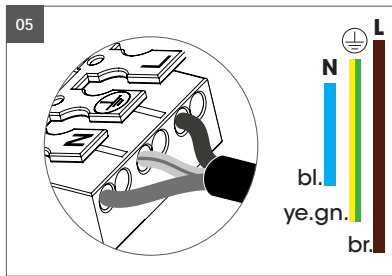
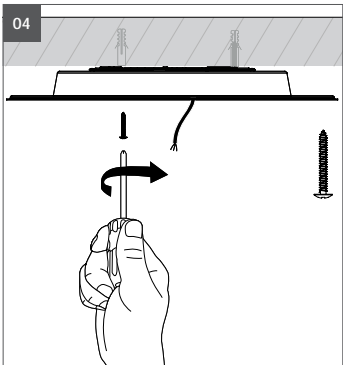
02 Remove the plastic covers with a small pliers, transfer the drill holes to the ceiling / wall with the mounting plate..



03 Drill the holes and use the dowels for secure mounting (see also mounting instructions). **Please note the underlying installations during drilling!**

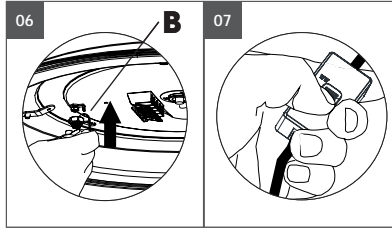
04 Lead the connection cable through the cable membrane, fix the mounting plate with suitable mounting material, check the tight fit of the mounting plate.

Mounting as pendant luminaire see mounting sheet pendant suspension with canopy.



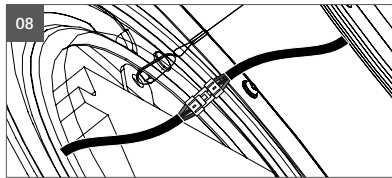
05 Connect the cable terminals according to VDE 0100 regulations. See terminal assignment.

Without DALI connection, the terminal is 3-pole.

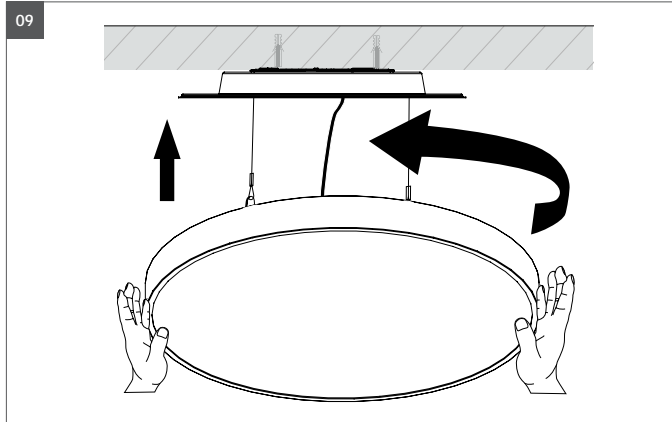


06 Reconnect the arresting cables (B) before closing the luminaire.

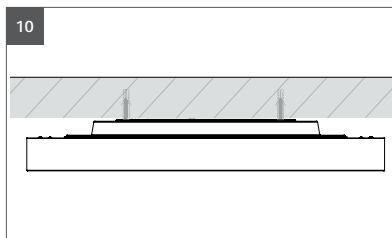
07 Set the desired light color with the selector switch in the lamp (for power, see technical data).



08 Connect connector plugs between mounting plate and the luminaire fixture, 230V supply.



09 To close the luminaire, place the luminaire in the correct position with the bolts in the guide openings on the mounting plate. Then turn the luminaire counterclockwise with a powerful jolt into the fixed position. Check that the luminaire is firmly seated in the mounting plate!

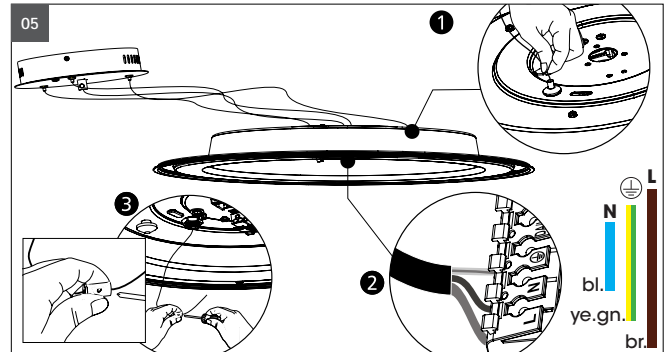
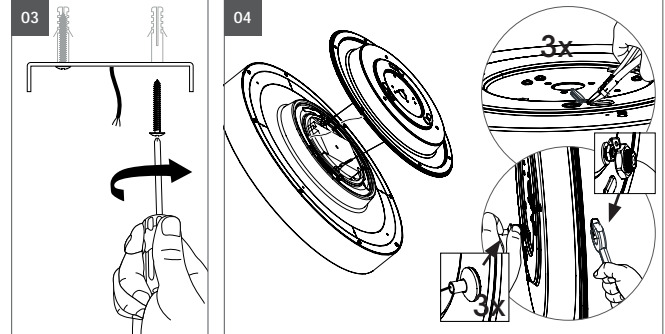
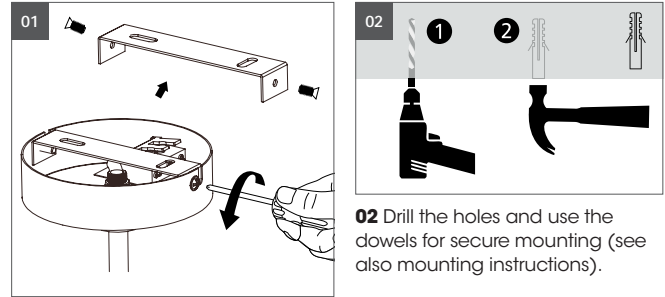


10 Switch on the fuses and residual current circuit breakers again and check the function.

Mounting instructions **pendulum mounting**



Turn off power supply before starting any installation. Do not connect the device under power.



Another installation / assembly / materials / types than provided in the manual sheets, release us from any electrotechnical and electrostatic responsibility.

Fixing materials:

The warranty is void if the buyer or a third party repairs or modifies the luminaire.