

## DESCRIPTION OF PARTS

LED High Bay Light. Made of Aluminium with powder coating.  
Clear glass diffuser.

## TECHNICAL DATA

100W (SPCN-100) dimmable  
120W (SPCN-120) dimmable  
150W (SPCN-150) dimmable  
200W (SPCN-200) dimmable

## LAMP

SMD-LED

## LED DRIVER

nominal voltage, primary: 200-240V



Protection class I



Notification of Risks



CE label



Safety Instructions



The light can be used in interiors and exteriors.



Cleaning Instructions



The product may not be disposed of in the household garbage.



Don't look directly into the LED! The LED is that bright that it might damage your eyes!



Luminaire is certified according EN 60598-2-24 for premises with fire hazards rating.



Installation only by qualified and authorised persons.

## MAINTENANCE AND CLEANING

The LED light agent cannot be replaced.



- Do not use solvents, such as benzene and similar agents. The light would be damaged thereby.
- Only use a dry, lint-free cloth for cleaning the product.

## DISPOSAL

The packaging consists of environmentally friendly materials. Dispose of them in the local recycling containers.



Do not dispose of this product in the household garbage when it has reached the end of its lifecycle, but rather take it to a disposal center. Your local officials will provide you with information about collection offices and their business hours.

## SAFETY



READ THE INSTRUCTIONS BEFORE USING THIS PRODUCT. KEEP THE SAFETY AND OPERATING INSTRUCTIONS FOR FUTURE USE.

## SAFETY INFORMATION

IP65

- The light can be used in interiors and exteriors.
- The light is not suitable for attaching on uneven surface. The light may otherwise fall. This can result in product damage and / or injuries.
- Before installing the LED light, please check capacity of ceiling/beams, only use mounting material that is suitable for installation. After installation, check that the LED luminaire is firmly in position. The light may otherwise fall down. This can result in product damage and / or injuries.



Electrical installations in fire hazard premises and equivalent risks guidelines for damage prevention. Safety requirements for electrical installations up to 1000 V. DIN EN 60598-2-24:2014-04; VDE 0711-2-24:2014-04. Title: Luminares - Part 2-24: Special requirements - luminaires with limited surface temperature



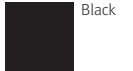
- Don't install under power.
- Follow the instruction manual for installation.
- Installation only by qualified and authorised persons.
- Do not use the product when it has been damaged (defective covers) or there are operational faults such as flickering, smoking, steaming, crackling noises or the smell of smoke.
- A damaged or defective product must be changed or repaired by the manufacturer, a service person or a comparable qualified person.
- Installation only under observance of the valid guidelines specific to application and country among others VDE 0.100.
- Never open one of the electrical operating agents or plug any objects into them. Such procedures signify a danger to life through electrical shock.
- Absolutely avoid contact between the product and water or other liquids. For reasons of electrical safety, the light may not be placed in contact with water or other liquids or submerged in water.
- The product may not be changed or modified.
- In operation or after extended periods of operation, avoid touching the external surface of the LED luminaire, there is a danger of high temperatures that can cause burns.
- Do not use the LED luminaire in areas with explosive or chemical aggressive atmosphere or reduced ventilation.
- The warranty claim and guarantee is rendered invalid in the event of damage to the product, which is caused by not following the operating instructions. We are not liable for the consequent damage. Because of specific characteristics of LED's (life, deviation in colour etc.) we formulated special terms for planing and installing our LED products. They are part of these installation manual! Should they not be available, request them please!
- Don't look directly into the LED! The LED is that bright that it might damage your eyes!



## SPCN

### LED HIGH BAY LIGHT

SPCN-100NW2, SPCN-100NW7, SPCN-100SCW2  
SPCN-120NW2, SPCN-120NW7, SPCN-120SCW2  
SPCN-150NW2, SPCN-150NW7, SPCN-150CW2  
SPCN-200NW2, SPCN-200SCW2



Black



## INTENDED USAGE

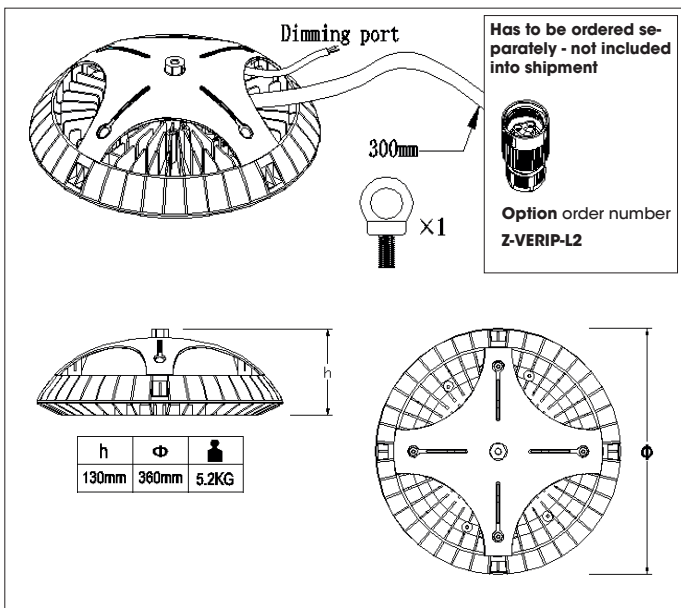
This product will only serve the purpose of illumination. The light can be used in interiors and exteriors.

## SCOPE OF DELIVERY

1 x SPCN  
1 x SPC-HA suspension eye  
1 x set of instructions for assembly, operation and safety

address | contact

A.L.S. GmbH  
Mastorter Str. 31 | 88069 Tettnang (Germany)  
Tel.: +49 (0) 75 42 93 44-0 | Fax.: +49 (0) 75 42 93 44-30  
E-Mail: info@als.de | Web: www.als.de



Assembly instructions



Turn Off power supply before starting any installation.  
Do not connect the device under power.

Another installation / assembly / materials / types than provided in the manual sheets, release us from any electrotechnical and electrostatic responsibility.

It is recommended that these products are installed by a qualified electrician.

**Caution!**  
**Note cold start and switch-on current** where multiple lamps are connected in parallel. The maximum switching load must be observed for circuit breaker types and switching devices.

Model	16A type B	16A type C
50W	9 pcs.	16 pcs.
100W	5 pcs.	9 pcs.
120W	5 pcs.	9 pcs.
150W	4 pcs.	7 pcs.
200W	2 pcs.	4 pcs.

