

DESCRIPTION OF PARTS

LED pendant luminaire for 48 V DC system

Dimensions: Ø 30 mm, L300 mm

Total length: 2 m

Body colour: black

TECHNICAL DATA

LED pendant luminaire for 48 V DC system 8 W 48V DC 700mA with an external converter 220-240V 50/60Hz 48VDC

PEP-8SW32DD = 2700K

Dimmable (DALI)

Protection class III

LAMP

LED

ACCESSORIES

DC string constant voltage LED driver

75W DALI article number: TRL-LCU75W48VDD

150W DALI article number: TRL-LCU150W48VDD



Protection class III



Notification of Risks



CE label



Safety Instructions



The product is only for use in interiors.



Cleaning Instructions



The product may not be disposed of in the household garbage.



Installation only by qualified and authorised persons.

SAFETY



READ THE INSTRUCTIONS BEFORE USING THIS PRODUCT. KEEP THE SAFETY AND OPERATING INSTRUCTIONS FOR FUTURE USE.

SAFETY INFORMATION



- The light is only suitable for use in interiors, in dry, enclosed rooms.



- Don't install under power.
- Follow the instruction manual for installation.
- Installation only by qualified and authorised persons.
- Do not use the product when it has been damaged (defective covers) or there are operational faults such as flickering, smoking, steaming, crackling noises or the smell of smoke.
- A damaged or defective product must be changed or repaired by the manufacturer, a service person or a comparable qualified person.
- Installation only under observance of the valid guidelines specific to application and country among others VDE 0.100.
- Never open one of the electrical operating agents or plug any objects into them. Such procedures signify a danger to life through electrical shock.
- Absolutely avoid contact between the product and water or other liquids. For reasons of electrical safety, the light may not be placed in contact with water or other liquids or submerged in water.
- The product may not be changed or modified.

MAINTENANCE AND CLEANING



- The LED light agent cannot be replaced.
- Do not use solvents, such as benzene and similar agents. The light would be damaged thereby.
- Only use a dry, lint-free cloth for cleaning the product.

DISPOSAL



The packaging consists of environmentally friendly materials. Dispose of them in the local recycling containers.

Do not dispose of this product in the household garbage when it has reached the end of its lifecycle, but rather take it to a disposal center. Your local officials will provide you with information about collection offices and their business hours.

PEP DALI

LED pendant luminaire for 48 V DC system

PEP-8SW32DD



INTENDED USAGE

This product will only serve the purpose of illumination.

The light is only suitable for use indoors.

SCOPE OF DELIVERY

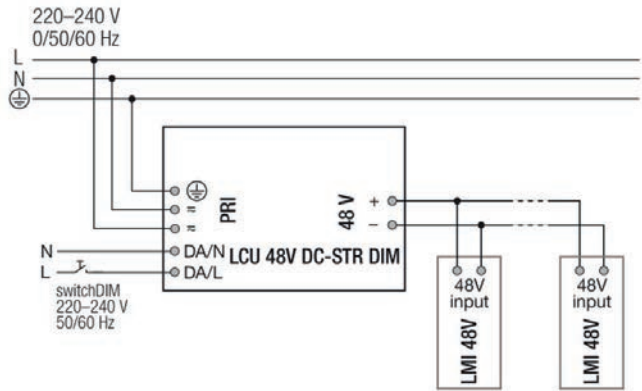
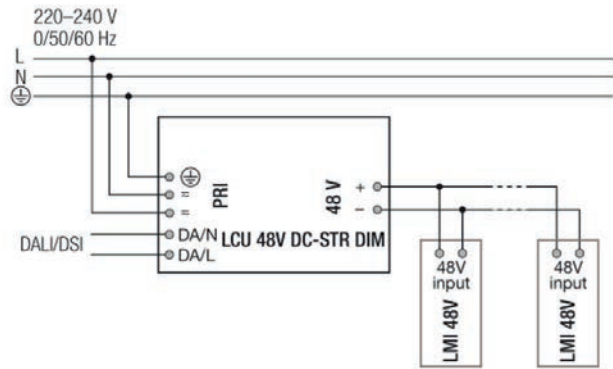
1 x LED luminaire
1 x set of instructions for assembly, operation and safety

address | contact

A.L.S. GmbH
Mastorter Str. 31 | 88069 Tettnang (Germany)
Tel.: +49 (0) 75 42 93 44-0 | Fax.: +49 (0) 75 42 93 44-30
E-Mail: info@als.de | Web: www.als.de

01

DALI Connection Diagram



Luminaires with integrated DALI to DC Powerline communication (PLC) can only be operated with the PEP track and the compatible DC string constant voltage LED driver (art. no.: TRL-LCU75W48VDD or TRL-LCU150W48VDD).



ATTENTION: PLC luminaires cannot be operated with standard PEP luminaires in one track!

DALI to DC Powerline communication is then no longer possible. Pay attention to the total output of the luminaire used. The LED driver is equipped with overload, short-circuit and temperature protection.

Functions

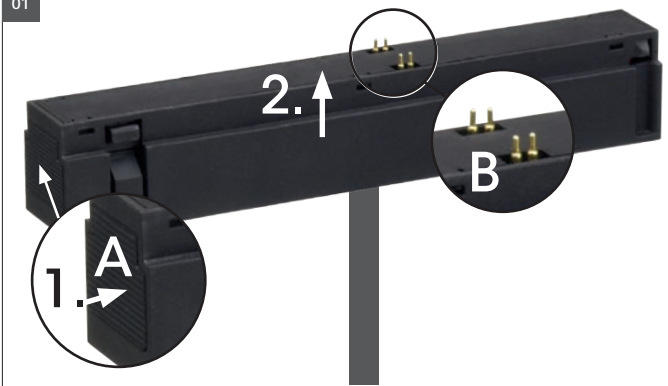
Fig. 01: It is required for the DALI function (see connection diagram) that a DALI-BUS system with a 5-wire supply line is installed.

Place the luminaire module in the track as shown in **Fig. 02**.

During commissioning (power on), the luminaire lights up to 100% luminous intensity. To address the luminaires, use the different programming tools on the internet, e.g. from TRIDONIC (masterCONFIGURATOR V2.32).

Note: If additional luminaires are inserted into the track in Power ON mode, the already installed will switch off for a short time (no error display). Belatedly inserted luminaires must then be re-integrated into the DALI communication.

01



Assembly instructions



Turn Off power supply before starting any installation!
Do not connect live!

Carefully remove the LED luminaire from its packaging.



The luminaire can only be operated on the PEP ceiling / recessed mounting track PEP-202 and PEP-262 with 48 V DC LED converter.

Another operating mode is not provided. Otherwise, the luminaire may fall down or be destroyed by incorrect power supply (voltage type). Damage to the product or injuries may result.

Do not bend, tape, pollute, or oil the spring contacts of the luminaire. Please avoid placing or storing the luminaire on the contacts.

Assembly of the PEP-8xx32DD

Image 01: Guide the LED track spotlight slightly oblique into the pre-assembled PEP track. Press the head button (A) on the base until the LED track spotlight fits flush in the track. Turn on the power.

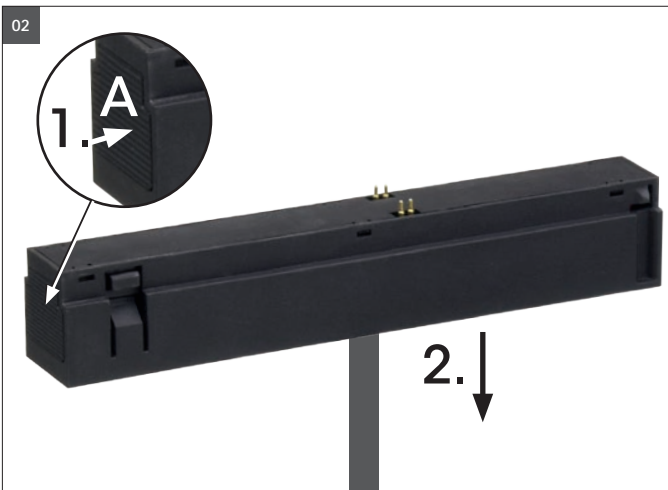


Image 02: To remove the LED track spotlight, press the head button (A) located on the base. The fastening is inactive and the LED light can easily be removed.



Please note:

Do not pull the lamp head by force! Press the head button (A) on the base again until the LED spotlight can easily be removed.

Disregard will damage the mechanics on the base and the LED floodlight will not snap into the track. Do not use LED spotlights with damaged sockets. They could fall off and cause damage / injuries.

The luminaire base can be used in both installation directions (rotated by 180 °), a polarity in the track is not specified.



LED spotlight becomes very warm during operation, please be careful when touching the body of the LED lamp!