

DESCRIPTION OF PARTS

Recessed track for 48 V DC system

Dimensions: L2000 x W77 x H54 mm

Colour: black

TECHNICAL DATA

DC 48V Max 450W (with 48V DC upstream converter)
Protection class III

ZUBEHÖR

PEP-605 End cap for surface track and recessed track, black

PEP-602A1 Supply cable L150 cm

PEP-602A Supply cable L60 cm

PEP-602 Electrical connector

PEP-602C Connecting cable L20 cm

PEP-202C Cover for contact bar

PEP-601A1 L-connector for recessed track, black

PEP-601A2 L-connector for recessed track, inside angle, black

PEP-601A3 L-connector for recessed track, exterior angle, black

PEP-601A Metal connector incl. grub screws, for surface-mounted power track, silver

Housing for power supply suitable for power supply order number **TRL-LCU75W48V** or **TRL-LCU150W48V** (for example)

Z-VTBOXPEP01 Mounting housing for DC48V power supply, L306x B133xH51 mm (with cable relief L325mm L325 mm), white

Z-VTBOXPEP02 Mounting housing for DC48V power supply, L306x B133xH51 mm (with cable relief L325mm L325 mm), black



Protection class III



Notification of Risks



CE label



Safety Instructions



The product is only for use in interiors.



Cleaning Instructions



The product may not be disposed of in the household garbage.

SAFETY



READ THE INSTRUCTIONS BEFORE USING THIS PRODUCT. KEEP THE SAFETY AND OPERATING INSTRUCTIONS FOR FUTURE USE.



• IP20. Suitable for use in interiors, in dry, enclosed rooms.



• The power track PEP-262 can only be operated with 48V DC Max 450 W, with upstream LED converter and components from the PEP family. Another mode is not provided. Otherwise the power track may be destroyed by incorrect power supply (voltage), damage to the product and / or injury may result.



- Don't install under power.
- Follow the instruction manual for installation.
- Installation only by qualified and authorised persons.
- Do not use the product when it has been damaged (defective covers) or there are operational faults such as flickering, smoking, steaming, crackling noises or the smell of smoke.
- A damaged or defective product must be changed or repaired by the manufacturer, a service person or a comparable qualified person.
- Installation only under observance of the valid guidelines specific to application and country among others VDE 0.100.
- Never open one of the electrical operating agents or plug any objects into them. Such procedures signify a danger to life through electrical shock.
- Absolutely avoid contact between the product and water or other liquids. For reasons of electrical safety, the light may not be placed in contact with water or other liquids or submerged in water.
- The product may not be changed or modified.

MAINTENANCE AND CLEANING



- Do not use solvents, such as benzene and similar agents. The light would be damaged thereby.
- Only use a dry, lint-free cloth for cleaning the product.

DISPOSAL

The packaging consists of environmentally friendly materials. Dispose of them in the local recycling containers.



Do not dispose of this product in the household garbage when it has reached the end of its lifecycle, but rather take it to a disposal center. Your local officials will provide you with information about collection offices and their business hours.

PEP

Recessed track for PEP power-track-spotlights and PEP pendant luminaires 48 V DC system

PEP-262



Schwarz



INTENDED USAGE

This product will only serve the purpose of illumination.

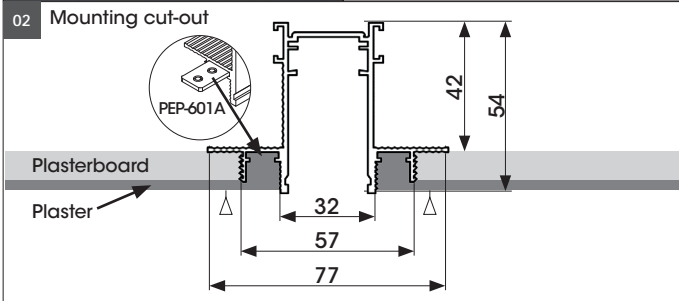
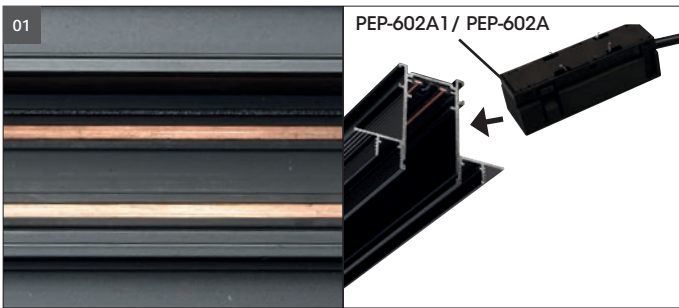
The light is only suitable for use indoors or in roofed outdoor areas.

SCOPE OF DELIVERY

- 1 x recessed power track
- 1 x set of instructions for assembly, operation and safety

address | contact

A.L.S. GmbH
Mastorter Str. 31 | 88069 Tettnang (Germany)
Tel.: +49 (0) 75 42 93 44-0 | Fax.: +49 (0) 75 42 93 44-30
E-Mail: info@als.de | Web: www.als.de



Assembly instructions

Turn Off power supply before starting any installation! Do not connect the device under power!
Carefully remove the PEP power track from its packaging. Check the PEP power track for any damages.

The built in power track PEP-262 is designed for direct mounting on load-bearing ceilings.
The maximum length of connected power tracks is 7m (voltage loss).

Overall load is designed for 450W. The electrical connector PEP-602 is needed for power transfer from track to track.

Fasten the built in power track to the holes provided. When installing the rail, make sure that the rail is installed cleanly and flush in the ceiling construction (Image 02). Make sure that the electrical contacts inside the power track (Image 01) are not damaged or contaminated during the mounting. Do not over-paint power track. Assembly with drilling holes on load-bearing ceilings.

Accessories for PEP power track

- PEP-605 End cap for surface track and recessed track, black
- PEP-602A1 Supply cable L150 cm
- PEP-602A Supply cable L60 cm
- PEP-602 Electrical connector
- PEP-602C Connecting cable L20 cm
- PEP-202C Cover for contact bar
- PEP-601A1 Corner connector for recessed track, black
- PEP-601A2 Corner connector for recessed track, inside angle, black
- PEP-601A3 Corner connector for recessed track, exterior angle, black
- PEP-601A Metal connector incl. grub screws, for surface-mounted power track, silver

Housing for power supply suitable for power supply order number **TRL-LCU75W48V** or **TRL-LCU150W48V** (for example)

- Z-VTBOXPEP01** Mounting housing for DC48V power supply, L306x B133xH51 mm (with cable relief L325mm L325 mm), white
- Z-VTBOXPEP02** Mounting housing for DC48V power supply, L306x B133xH51 mm (with cable relief L325mm L325 mm), black

! Fig. A-H show an example installation. **Shown installation materials are not included in the delivery.** Built-in elements PEP-262, PEP-601A1, PEP-601A2 and PEP-601A3 must be securely fastened statically.

