

## DESCRIPTION OF PARTS

Track light with 3-phase-adapter, 355° rotatable, 90° pivoting, body colour white or black.  
Replaceable bulbs PAR /GU10.

## TECHNICAL DATA

OLI-10012  
OLI-10011  
Dimensions: 135x95 Ø 82mm  
220-240V AC max 7Watt

## LAMP

GU10 LED | max. 7W

## LED DRIVER

nominal voltage,  
primary: 220-240V/50Hz

## SAFETY



READ THE INSTRUCTIONS BEFORE USING THIS PRODUCT.  
KEEP THE SAFETY AND OPERATING INSTRUCTIONS FOR FUTURE USE.

## SAFETY INFORMATION



- The light is only suitable for use in interiors, in dry, enclosed rooms.
- The luminaire can only be operated on suitable conductor power tracks. No other type of mounting is provided.
- The latch on the adapter must fully engage after insertion in the power track.
- The adapter of the track spotlight is suitable for the following track systems: STAFF, NORLUX, GLOBAL, NUCO AND NORDIC. After inserting make sure that the spotlight fit tightly and accurately. The light may otherwise fall. This can result in product damage and / or injuries.



- Don't install under power.
- Follow the instruction manual for installation.
- Installation only by qualified and authorised persons.



- Do not use the product when it has been damaged (defective covers) or there are operational faults such as flickering, smoking, steaming, crackling noises or the smell of smoke.
- A damaged or defective product must be changed or repaired by the manufacturer, a service person or a comparable qualified person.
- Installation only under observance of the valid guidelines specific to application and country among others VDE 0.100.
- Never open one of the electrical operating agents or plug any objects into them. Such procedures signify a danger to life through electrical shock.
- Absolutely avoid contact between the product and water or other liquids. For reasons of electrical safety, the light may not be placed in contact with water or other liquids or submerged in water.
- The product may not be changed or modified.

## MAINTENANCE AND CLEANING



- The LED bulbs can be replaced. Pay attention to the specified power in watts
- Do not use halogen bulbs, this fixture is designed for LED bulbs only.
- Do not use solvents, such as benzene and similar agents. The light would be damaged thereby.
- Only use a dry, lint-free cloth for cleaning the product.

## DISPOSAL

The packaging consists of environmentally friendly materials. Dispose of them in the local recycling containers.



Do not dispose of this product in the household garbage when it has reached the end of its lifecycle, but rather take it to a disposal center. Your local officials will provide you with information about collection offices and their business hours.



Keep foil packages away from small children, there is a risk of suffocation.

# OLIVIO

Track light

OLI-10012  
OLI-10011

**ALS**  
ARCHITEKTONISCHE  
LICHT  
SYSTEME



White



Black



## INTENDED USAGE

This product will only serve the purpose of illumination.

The light is only suitable for use in interiors, in dry, enclosed rooms.

## SCOPE OF DELIVERY

1 track light with 3-phase-adapter / surface mounted light fitting  
1 x set of instructions for assembly, operation and safety

## TECHNICAL CHANGES

Changes in the sense of technical progress can be made without prior notice.

address | contact

A.L.S. GmbH  
Mastorter Str. 31 | 88069 Tettnang (Germany)  
Tel.: +49 (0) 75 42 93 44-0 | Fax.: +49 (0) 75 42 93 44-30  
E-Mail: info@als.de | Web: www.als.de



Protection class I



Notification of Risks



CE label



Safety Instructions



The product is only for use in interiors.



Cleaning Instructions



The product may not be disposed of in the household garbage.



It is not allowed to cover luminaires with heat-insulating cover sheet or similar materials!



Installation only by qualified and authorised persons.

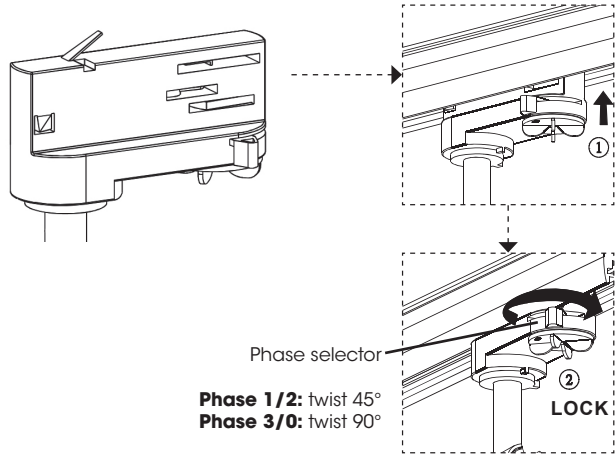


Keep foil packages away from small children, there is a risk of suffocation.



The product becomes very warm during operation, be careful when touching the luminaire body

**Attention! Adapter can only be installed in 3phase track in one direction. Locking mechanism (A) must be placed on track side like marked with B.**



**Insertion and locking of 3-phase universal adapters.**

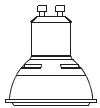
Assembly instructions with 3-phase-adapter



**Turn Off power supply before starting any installation.**

Do not connect the device under power. LED-Leuchte vorsichtig aus der Verpackung nehmen

Before installing the fixture for the first time, insert the PAR 51 max 7 Watt bulb. **Do not use halogen bulbs**, this fixture is designed for LED bulbs only.



LED GU10

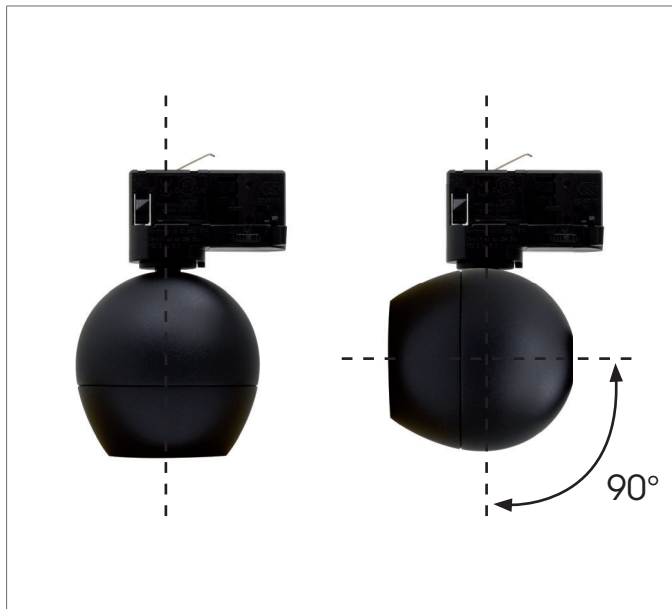
Hold the luminaire with the opening facing upwards and place the PAR 7Watt GU10 bulb in the luminaire.

Place the bulb with the contact pins in the position as the socket is mounted in the luminaire.

If the contacts with the socket are positioned correctly, the bulb will settle down a few millimeters. Now the lamp can be turned 5° to the right. If the lamp is correctly positioned, the luminaire can be inserted into the power track and switched on with the phase selection dial.

**Attention, the adapter can only be inserted correctly in one direction!**

When inserting, the latch (A) must be positioned on the side of the recess (B) in the power track!



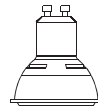
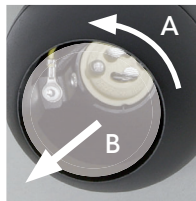
**Replacement of defective lamps:**



**Caution Lamps may still be very warm.**

Unlock the lamp head on the power rail adapter and remove the spotlight from the power track.

Turn the defective bulb against the clockwise direction by 5°, turn the spotlight with the opening downwards and the bulb will fall out.



LED GU10

Another installation / assembly / materials / types than provided in the manual sheets, release us from any electrotechnical and electrostatic responsibility.

**Mounting material**

The use of third-party materials without manufacturer approval releases us from any liability.

Before inserting the adapter into the power track, make sure that the locking mechanism and contacts are centered flush in the adapter! **Zero setting for all locks and switching positions is necessary!**

Failure to observe this information will damage the adapter and can no longer be used.