

DESCRIPTION OF PARTS

Ceiling spotlight with ceiling rose, 355° rotatable, 90° pivoting, body colour white or black.
Replaceable bulbs PAR /GU10.

TECHNICAL DATA

OLI-10002
OLI-10001
Dimensions: 105 Ø 82 mm
220-240V AC max 7Watt

LAMP

GU10 LED | max. 7W

LED DRIVER

nominal voltage,
primary: 220-240V/50Hz

SAFETY



READ THE INSTRUCTIONS BEFORE USING THIS PRODUCT.
KEEP THE SAFETY AND OPERATING INSTRUCTIONS FOR
FUTURE USE.

SAFETY INFORMATION



- The light is only suitable for use in interiors, in dry, enclosed rooms.
- The luminaire is not suitable for mounting on uneven surfaces. Otherwise, the luminaire may fall down. Damage to the product and / or injury may result.



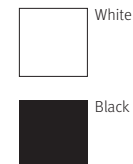
- Don't install under power.
- Follow the instruction manual for installation.
- Installation only by qualified and authorised persons.
- Do not use the product when it has been damaged (defective covers) or there are operational faults such as flickering, smoking, steaming, crackling noises or the smell of smoke.
- A damaged or defective product must be changed or repaired by the manufacturer, a service person or a comparable qualified person.
- Installation only under observance of the valid guidelines specific to application and country among others VDE 0.100.
- Never open one of the electrical operating agents or plug any objects into them. Such procedures signify a danger to life through electrical shock.
- Absolutely avoid contact between the product and water or other liquids. For reasons of electrical safety, the light may not be placed in contact with water or other liquids or submerged in water.
- The product may not be changed or modified.

OLIVIO

Ceiling spotlight

OLI-10002
OLI-10001

ALS
ARCHITEKTONISCHE
L I C H T
S Y S T E M E



Protection class I



Notification of Risks



CE label



Safety Instructions



The product is only for use in interiors.



Cleaning Instructions



The product may not be disposed of in the household garbage.



It is not allowed to cover luminaires with heat-insulating cover sheet or similar materials!



Installation only by qualified and authorised persons.



Keep foil packages away from small children, there is a risk of suffocation.



The product becomes very warm during operation, be careful when touching the luminaire body

MAINTENANCE AND CLEANING



- The LED bulbs can be replaced. Pay attention to the specified power in watts
- Do not use halogen bulbs, this fixture is designed for LED bulbs only.
- Do not use solvents, such as benzene and similar agents. The light would be damaged thereby.
- Only use a dry, lint-free cloth for cleaning the product.

DISPOSAL

The packaging consists of environmentally friendly materials. Dispose of them in the local recycling containers.



Do not dispose of this product in the household garbage when it has reached the end of its lifecycle, but rather take it to a disposal center. Your local officials will provide you with information about collection offices and their business hours. Keep foil packages away from small children, there is a risk of suffocation.

INTENDED USAGE

This product will only serve the purpose of illumination.

The light is only suitable for use in interiors, in dry, enclosed rooms.

SCOPE OF DELIVERY

1 ceiling spotlight with ceiling rose
1 x set of instructions for assembly, operation and safety

TECHNICAL CHANGES

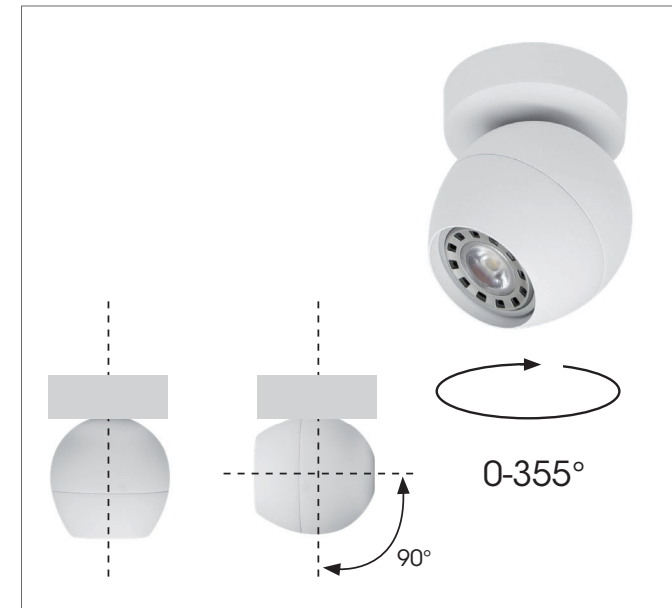
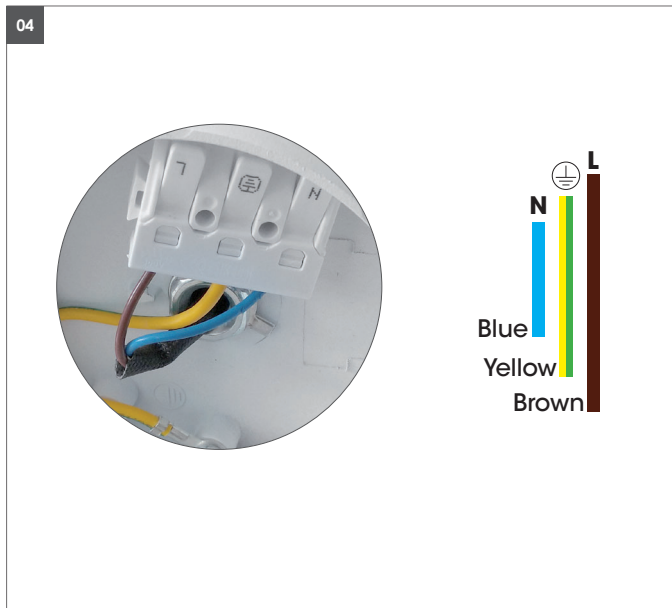
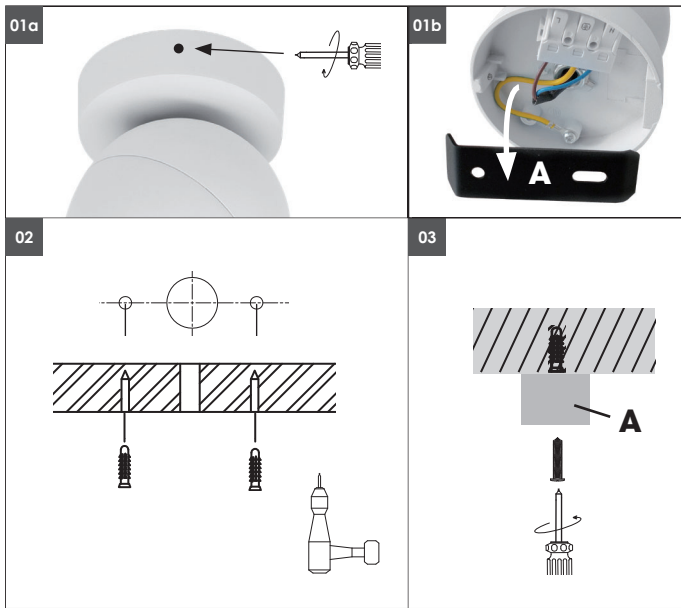
Changes in the sense of technical progress can be made without prior notice.

address | contact

A.L.S. GmbH
Mastorter Str. 31 | 88069 Tettnang (Germany)
Tel.: +49 (0) 75 42 93 44-0 | Fax.: +49 (0) 75 42 93 44-30
E-Mail: info@als.de | Web: www.als.de

Version: 2021-09-17

EN



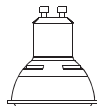
Assembly instructions



Turn Off power supply before starting any installation.

Do not connect the device under power. LED-Leuchte vorsichtig aus der Verpackung nehmen

Before installing the fixture for the first time, insert the PAR 51 max 7 Watt bulb. **Do not use halogen bulbs**, this fixture is designed for LED bulbs only.



LED GU10

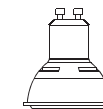
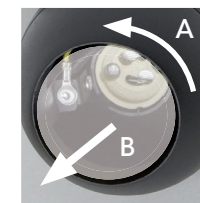
Tilt the head of the lamp with the opening in the horizontal position and insert the PAR 7Watt GU10 bulb into the luminaire. Place the bulb with the contact pins in the position as the socket is mounted in the luminaire. If the contacts with the socket are positioned correctly, the bulb will settle down a few millimeters. Now the lamp can be turned 5° to the right. The bulb should now be firmly seated in the socket.

- 01a** Use an Allen key to loosen the lateral Allen screw.
- 01b** Remove the mounting bracket (**A**) from the ceiling rose.
- 02** Use the mounting bracket to transfer the mounting holes to the ceiling/wall. **Check for underlying installations before drilling.**
- 03** Fasten the mounting bracket with screws.
Note: Do not bend the mounting bracket when tightening the screws.
- 04** Connect the supply cable to the terminal in the ceiling rose in accordance with the electrical regulations. Place the luminaire in the correct position on the mounting bracket and tighten the snapping screw.

Replacement of defective lamps:



Caution Lamps may still be very warm. Turn the defective bulb against the clockwise direction by 5°, turn the spotlight with the opening downwards and the bulb will fall out.



LED GU10

Another installation / assembly / materials / types than provided in the manual sheets, release us from any electrotechnical and electrostatic responsibility.

Mounting material

The use of third-party materials without manufacturer approval releases us from any liability.