

DESCRIPTION OF PARTS

LED wall mounted luminaire swiveling with switch
B40xT63,2xH120 mm (luminaire body Ø27,4xH88 mm)
Light emission: Direct
Housing: White
Housing made of painted die-cast aluminum, clear protective glass

TECHNICAL DATA

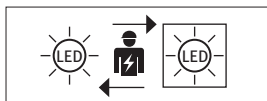
LED incl. driver
AC220-240V
3W
CCT: 3000K
IP class 20
Protection class: I
Nicht dimmbar

LIGHT SOURCE

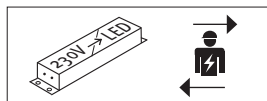
A.L.S. GmbH - EP830255-1-2WW1
This luminaire contains one light source of energy efficiency class G

LED DRIVER

Primary voltage: 220V/50Hz



The light source is only exchangeable by a professional.



The LED driver is only exchangeable by a professional.



Protection class I



Notification of Risks



CE label



Safety Instructions



The product is only for use in interiors.



Cleaning Instructions



The product may not be disposed of in the household garbage.



It is not allowed to cover luminaires with heatinsulating cover sheet or similar materials!



Do not attach deco material.



Installation only by qualified and authorised persons.



Not dimmable

SAFETY



READ THE INSTRUCTIONS BEFORE USING THIS PRODUCT. KEEP THE SAFETY AND OPERATING INSTRUCTIONS FOR FUTURE USE.

SAFETY INFORMATION



- The light is suitable for lighting purpose indoors.
- The luminaire is not suitable for mounting on uneven surfaces, softboard. The light may otherwise fall. This can result in product damage and / or injuries. **Check the mounting surface and adjust the mounting material to the ground.**



- Do not let children play with the packaging film. Children can get caught up in it and suffocate while playing.



- Don't install under power.
- Follow the instruction manual for installation.
- Installation only by qualified and authorised persons.
- Do not use the product when it has been damaged (defective covers) or there are operational faults such as flickering, smoking, steaming, crackling noises or the smell of smoke.
- A damaged or defective product must be changed or repaired by the manufacturer, a service person or a comparable qualified person.
- Installation only under observance of the valid guidelines specific to application and country among others VDE 0.100.
- Never open one of the electrical operating agents or plug any objects into them. Such procedures signify a danger to life through electrical shock.
- Absolutely avoid contact between the product and water or other liquids. For reasons of electrical safety, the light may not be placed in contact with water or other liquids or submerged in water.
- The product may not be changed or modified.
- Make sure that the luminaire is never covered by heat insulating mats or thin materials. Make sure that the product has enough space for heat dissipation.



MAINTENANCE AND CLEANING

The light source is only exchangeable by a professional.



- Do not use solvents, such as benzene and similar agents. The light would be damaged thereby.
- Only use a dry, lint-free cloth for cleaning the product.

DISPOSAL

The packaging consists of environmentally friendly materials. Dispose of them in the local recycling containers.



Do not dispose of this product in the household garbage when it has reached the end of its lifecycle, but rather take it to a disposal center. Your local officials will provide you with information about collection offices and their business hours.

NAT

Wall mounted luminaire with switch

NAT-2WW1



White



INTENDED USAGE

This product will only serve the purpose of illumination.

The light is only suitable for use in interiors, in dry, enclosed rooms.

SCOPE OF DELIVERY

1 x LED luminaire
1 x Converter
1 x set of instructions for assembly, operation and safety

TECHNICAL CHANGES

Changes in the sense of technical progress can be made without prior notice.

address | contact

A.L.S. GmbH
Mastorter Str. 31 | 88069 Tettnang (Germany)
Tel.: +49 (0) 75 42 93 44-0 | Fax.: +49 (0) 75 42 93 44-30
E-Mail: info@als.de | Web: www.als.de

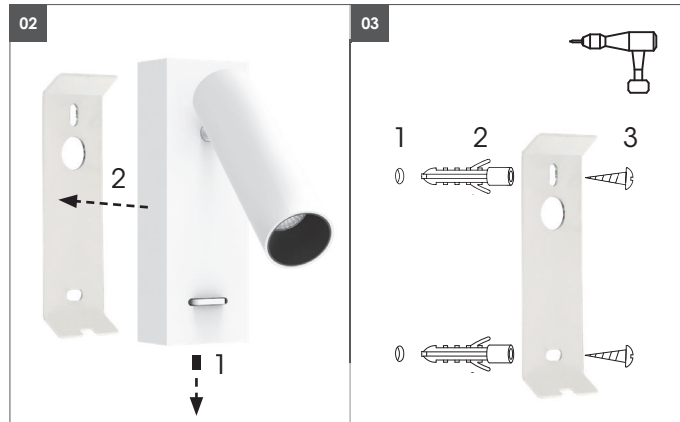
Carefully remove the LED panel from its packaging.



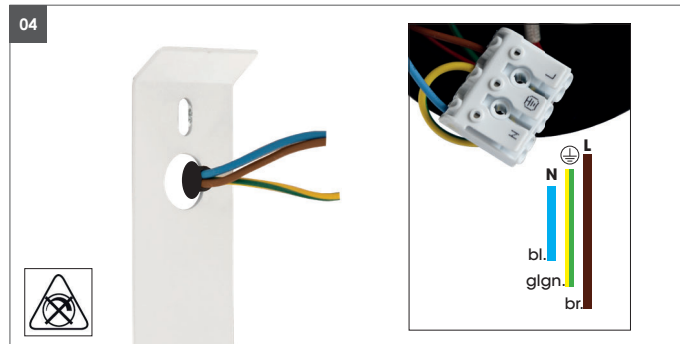
01 Turn off power supply before starting any installation.
Do not connect the device under power.

02 Loosen grub screw and remove mounting bracket.

03 Transfer drilling positions (pay attention to installations behind) and drill 2 holes. After inserting the dowels, mount the mounting bracket. Check that it is firmly seated.



04 Connect the supply cable according to the electrical regulations at the primary connection 230V AC to the LED converter.
Only use the supplied LED converter! Other converters or transformers may destroy the light.



05 Place the luminaire on the mounting bracket and screw in the grub screw from below. Check that the luminaire is firmly seated.

10 After installation and connection, switch on all poles of the mains voltage. To do this, switch on the associated circuit breaker or turn on the fuse. Also switch on the associated residual current circuit breaker so that all poles of the mains supply line are connected to the mains voltage.



Looking into the light output for too long can damage the eyes!



It is not allowed to cover the converter with heatinsulating cover sheet or similar materials! Additional drillings in the LED luminaire are not allowed! Do not place any object on the LED pendant luminaire.

Another installation / assembly / materials / types than provided in the manual sheets, release us from any electrotechnical and electrostatic responsibility.

Fixing materials:

The warranty is void if the buyer or a third party repairs or modifies the luminaire.

