

DESCRIPTION OF PARTS

LED luminaire

TECHNICAL DATA

Lamp + LED driver

Total power consumption	approx. 13 W	approx. 18 W	approx. 22 W
Quantity of LEDs	72	96	120
Lumen at +25°	1200 lm/ 1170 lm	1680 lm/ 1620 lm	2024 lm/ 1924 lm
CCT	4000 K/ 3000 K	4000 K/ 3000 K	4000 K/ 3000 K

LED LIGHT

Total power: approx. 13W / 18 W / 22W

Protection class: II

The LED light agent cannot be replaced.

LED DRIVER

nominal voltage, primary: 100-240V~ (50/60 Hz)
approx. at 13W - 312 mA / 18W- 424mA / 22W- 530mA



Protection class II



Notification of Risks



CE label



Safety Instructions



The product is only for use in interiors.



Cleaning Instructions



The product may not be disposed of in the household garbage.



Approved for materials with unknown fire performance

SAFETY



READ THE INSTRUCTIONS BEFORE USING THIS PRODUCT. KEEP THE SAFETY AND OPERATING INSTRUCTIONS FOR FUTURE USE.

SAFETY INFORMATION



- The light is only suitable for use in interiors, in dry, enclosed rooms.
- The light is not suitable for attaching on uneven surface. The light may otherwise fall. This can result in product damage and / or injuries.



- Don't install under power.
- Follow the instruction manual for installation.
- Installation only by qualified and authorised persons.
- Do not use the product when it has been damaged (defective covers) or there are operational faults such as flickering, smoking, steaming, crackling noises or the smell of smoke.
- A damaged or defective product must be changed or repaired by the manufacturer, a service person or a comparable qualified person.
- Installation only under observance of the valid guidelines specific to application and country among others VDE 0.100.
- Never open one of the electrical operating agents or plug any objects into them. Such procedures signify a danger to life through electrical shock.
- Absolutely avoid contact between the product and water or other liquids. For reasons of electrical safety, the light may not be placed in contact with water or other liquids or submerged in water.
- The product may not be changed or modified.

MAINTENANCE AND CLEANING

The LED light agent cannot be replaced.



- Do not use solvents, such as benzene and similar agents. The light would be damaged thereby.
- Only use a dry, lint-free cloth for cleaning the product.

DISPOSAL

The packaging consists of environmentally friendly materials. Dispose of them in the local recycling containers.



Do not dispose of this product in the household garbage when it has reached the end of its lifecycle, but rather take it to a disposal center. Your local officials will provide you with information about collection offices and their business hours.

LEST

LED wall and ceiling-mounted luminaire

LEST-13NW1 / LEST-13WW1
LEST-18NW1 / LEST-18WW1
LEST-22NW1 / LEST-22WW1



Anodized Aluminium



INTENDED USAGE

This product will only serve the purpose of illumination.

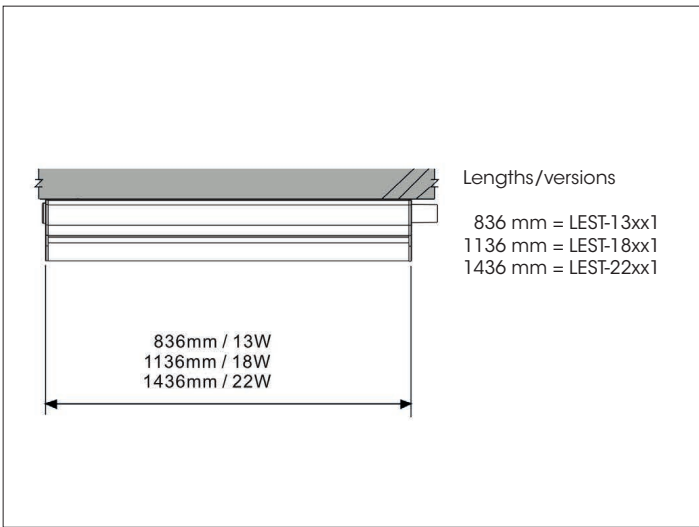
The light is only suitable for use in interiors, in dry, enclosed rooms.

SCOPE OF DELIVERY

1x LED luminaire
3x mounting clips metal
1x end cap
1 x set of instructions for assembly, operation and safety

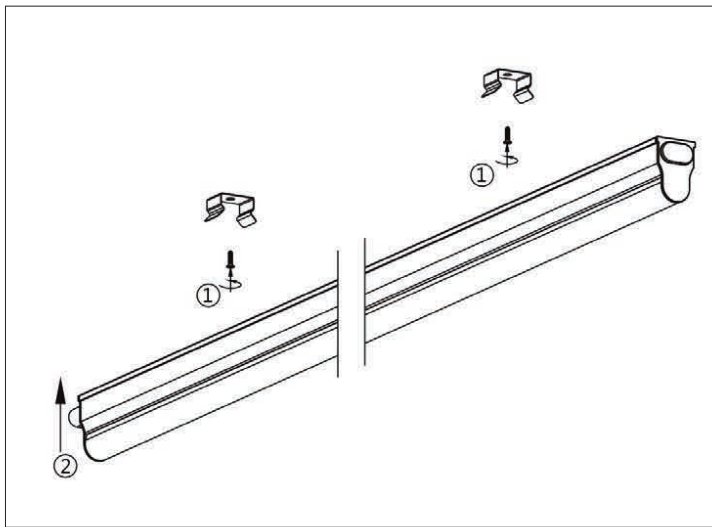
Adresse | Kontakt

A.L.S. GmbH
Mastorter Str. 31 | 88069 Tettnang (Germany)
Tel.: +49 (0) 75 42 93 44-0 | Fax.: +49 (0) 75 42 93 44-30
E-Mail: info@als.de | Web: www.als.de

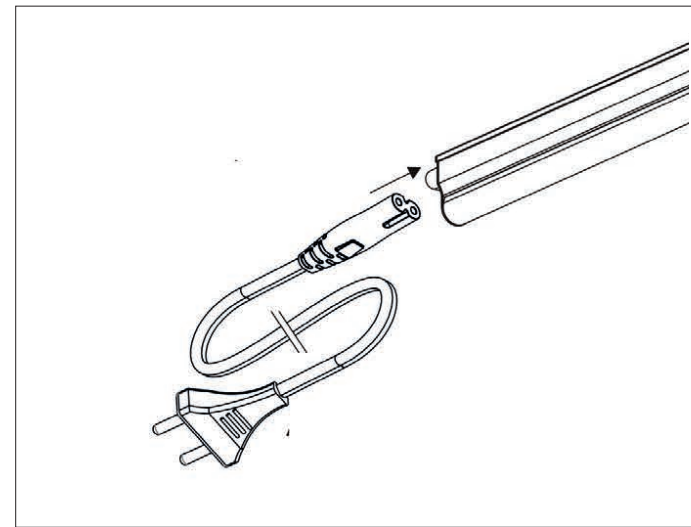


Max. 10 luminaires can be connected together.

For further luminaires a new power supply is necessary (feed)!

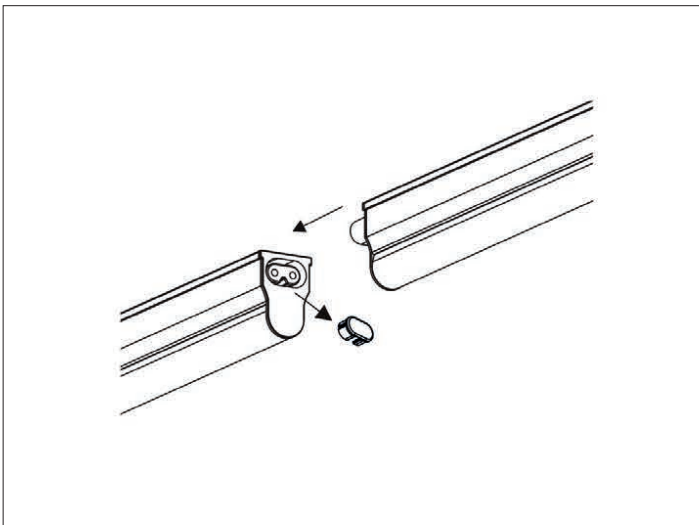


For the installation use the enclosed mounting brackets.



Only the original connecting cables may be used.

Best Nr:
1800 mm ZUL-LEST1800

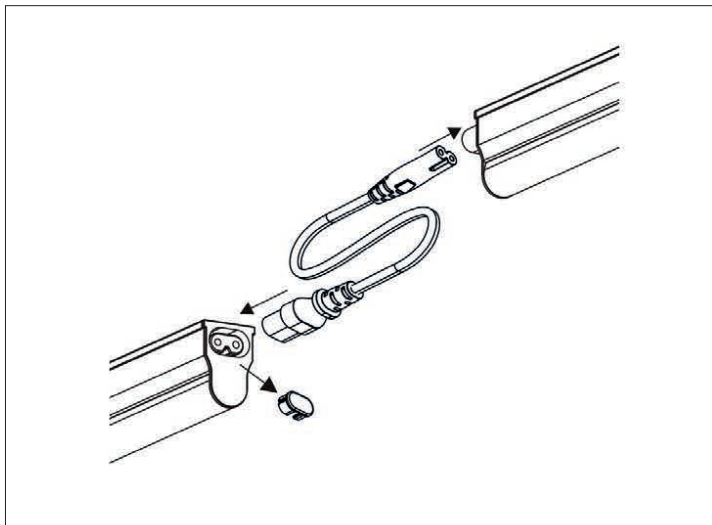


For extension remove the end cap. Firmly connect the light strip with the plug-in module.



Please note!

The last light strip has to be covered with the end cap.

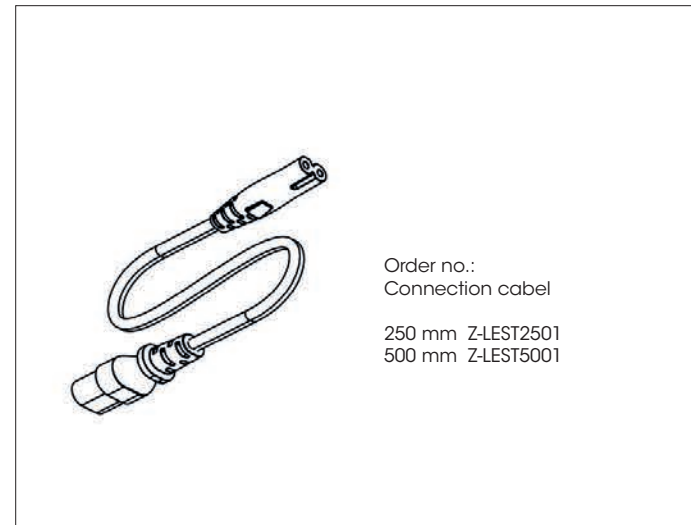


For flexible connections remove the end cap. Only the original connecting cables may be used. Check plug-in for firm connection!



Please note!

The last light strip has to be covered with the end cap.



SAFETY



THE LED LUMINAIRE MAY ONLY BE PLUGGED IN OR REPLACED WITH ORIGINAL CONNECTING CABLES AND WITHOUT VOLTAGE!

