

DESCRIPTION OF PARTS

LED recessed downlight including external LED driver.

TECHNICAL DATA

Power supply: 220-240V 50Hz 6W (350mA)
 Total power: 6W/350mA
 Protection class: II

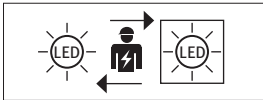
Protection type (only luminaire):
 IP65 (ELRIP/ELEIP), IP44 (ELRS/ELES)
 Installation: Ceiling recessed mounted
 Beam angle: 38°

Light colour: 4000K | Light source: A.L.S. GmbH - EP830222-1-6NW1
 For ELRS-6NWx, ELES-6NWx, ELRIP-6NWx, ELEIP-6NWx
 This luminaire contains one light source of energy efficiency class F

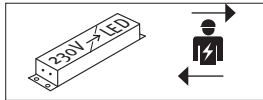
Light colour: 3000K | Light colour: A.L.S. GmbH - EP830222-1-6WW1
 For ELRS-6WWx, ELES-6WWx, ELRIP-6WWx, ELEIP-6WWx
 This luminaire contains one light source of energy efficiency class F

Lichtfarbe: 2700K | Light source: A.L.S. GmbH - EP830222-1-6SW1
 For ELRS-6SWx, ELES-6SWx, ELRIP-6SWx, ELEIP-6SWx
 This luminaire contains one light source of energy efficiency class F

The product consists of two components. Luminaire with light source and external LED Driver.



The light source is only exchangeable by a professional.



The LED driver is only exchangeable by a professional.



Protection class II



Notification of Risks



CE label



Safety Instructions



The luminaire has IP65 when fitted in a concealed ceiling.



The luminaire has IP44 when fitted in a concealed ceiling.



The product may not be disposed of in the household garbage.



It is not allowed to cover luminaires with heatinsulating cover sheet or similar materials!



Please be careful when touching the LED heat sink



Don't look directly into the LED! The LED is that bright that it might damage your eyes!



Not dimmable



Cleaning Instructions



Installation only by qualified and authorised persons.

SAFETY



READ THE INSTRUCTIONS BEFORE USING THIS PRODUCT. KEEP THE SAFETY AND OPERATING INSTRUCTIONS FOR FUTURE USE.

The warranty claim and guarantee is rendered invalid in the event of damage to the product, which is caused by not following the operating instructions. We are not liable for the consequent damage. Because of specific characteristics of LED's (life, deviation in colour etc.) we formulated special terms for planing and installing our LED products. They are part of these installation manual! Should they not be available, request them please! Don't look directly into the LED! The LED is that bright that it might damage your eyes!

SICHERHEITSGEINFORMATIONEN

IP65

The luminaire has IP65 when fitted in a concealed ceiling.

IP44

The luminaire has IP44 when fitted in a concealed ceiling.

The luminaire is not suitable for mounting on uneven surfaces. Use only suitable concrete mounting boxes with a separate mounting box for the LED Driver. Check that the LED recessed downlight is firmly fixed. Otherwise, the luminaire may fall down. Damage to the product and / or injury may result.



- Don't install under power.
- Follow the instruction manual for installation.
- Installation only by qualified and authorised persons.
- Do not use the product when it has been damaged (defective covers) or there are operational faults such as flickering, smoking, steaming, crackling noises or the smell of smoke.
- A damaged or defective product must be changed or repaired by the manufacturer, a service person or a comparable qualified person.
- Installation only under observance of the valid guidelines specific to application and country among others VDE 0.100.
- Never open one of the electrical operating agents or plug any objects into them. Such procedures signify a danger to life through electrical shock.
- Absolutely avoid contact between the product and water or other liquids. For reasons of electrical safety, the light may not be placed in contact with water or other liquids or submerged in water.
- The product may not be changed or modified.
- Don't look directly into the LED! The LED is that bright that it might damage your eyes!



MAINTENANCE AND CLEANING

The light source is only exchangeable by a professional.



- Do not use solvents, such as benzene and similar agents. The light would be damaged thereby.
- Only use a dry, lint-free cloth for cleaning the product.

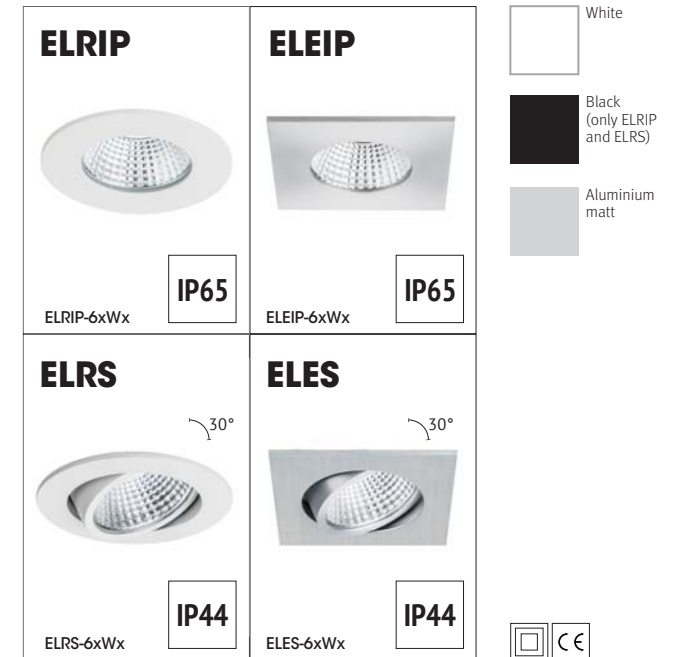
DISPOSAL

The packaging consists of environmentally friendly materials. Dispose of them in the local recycling containers.



Do not dispose of this product in the household garbage when it has reached the end of its lifecycle, but rather take it to a disposal center. Your local officials will provide you with information about collection offices and their business hours.

LED Downlight



INTENDED USAGE

This product will only serve the purpose of illumination.

SCOPE OF DELIVERY

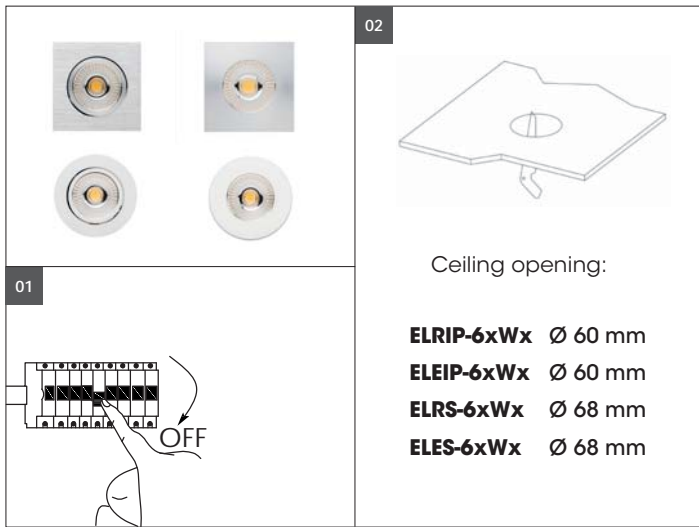
- 1 x LED light
- 1 x LED converter
- 1 x manual for assembly, operation and safety

TECHNICAL CHANGES

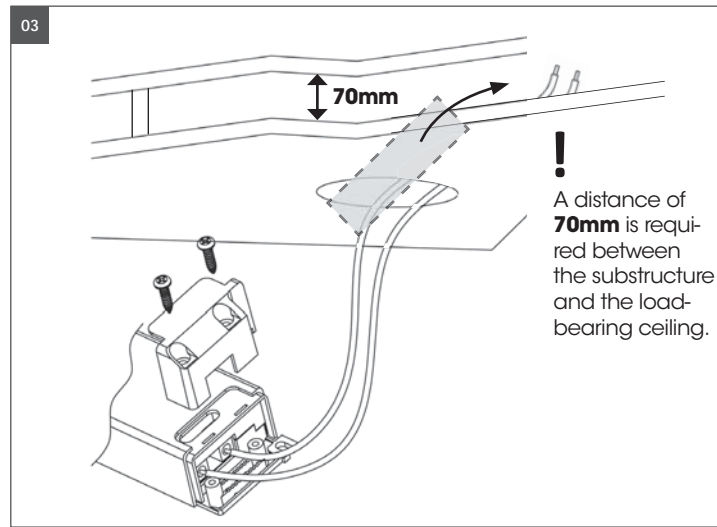
Changes in the sense of technical progress can be made without prior notice.

address | contact

A.L.S. GmbH
 Mastorter Str. 31 | 88069 Tettnang (Germany)
 Tel.: +49 (0) 75 42 93 44-0 | Fax.: +49 (0) 75 42 93 44-30
 E-Mail: info@als.de | Web: www.als.de

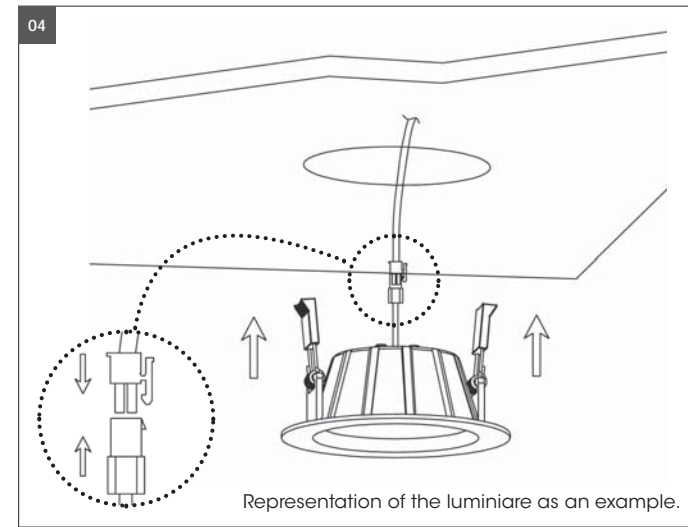


Schalten Sie vor der Montage und dem Anschluss die Netzspannung allpolig ab. Schalten Sie dazu den zugehörigen Sicherungsautomaten ab bzw. drehen Sie die Sicherung heraus. Schalten Sie außerdem den zugehörigen FI-Schutzschalter ab, so dass die Netzzuleitung allpolig von der Netzspannung getrennt ist. Sichern Sie diese vor versehentlichem Einschalten mit einem Warnschild o.ä. ab. Überprüfen Sie anschließend die Netzzuleitung zur Leuchte auf Spannungsfreiheit, verwenden Sie dazu ein geeignetes Messgerät (z.B. Digitalmultimeter).

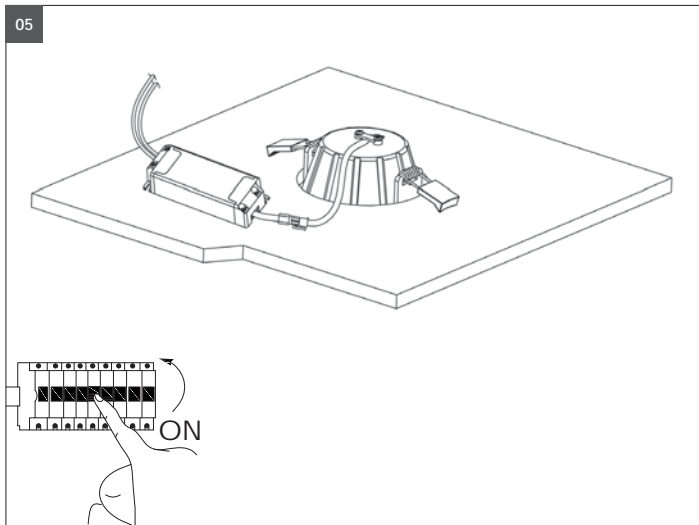


Feed the main DALI AC 230V 50Hz wire L.N. in terminal block respectively, then fix the cover back (strain relief).

Fixing materials: strain relief, clamps
 The warranty is void if the buyer or a third party repairs or modifies the luminaire.

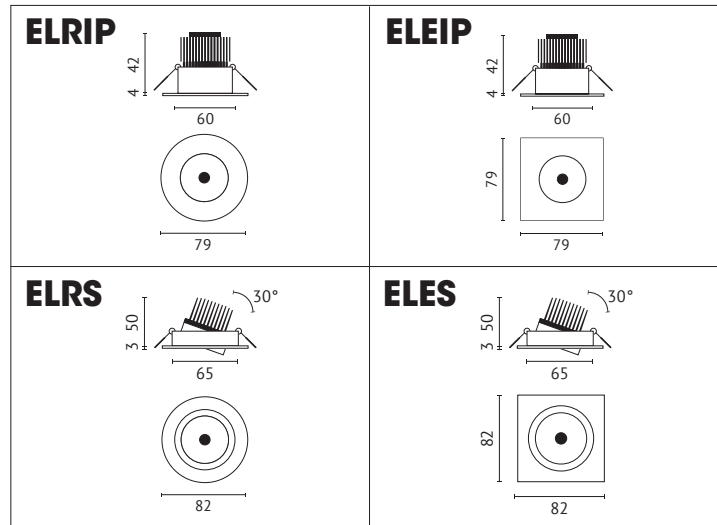


Connect the downlight with driver, hold back the spring clip then push the downlight into the hole.
 The luminaire is not suitable for attachment to uneven surfaces. Use only suitable concrete installation boxes with a separate installation box for the LED driver. Check that the LED installation downlight is securely attached. Otherwise the lamp may fall down. Damage to the product and / or injuries may result.



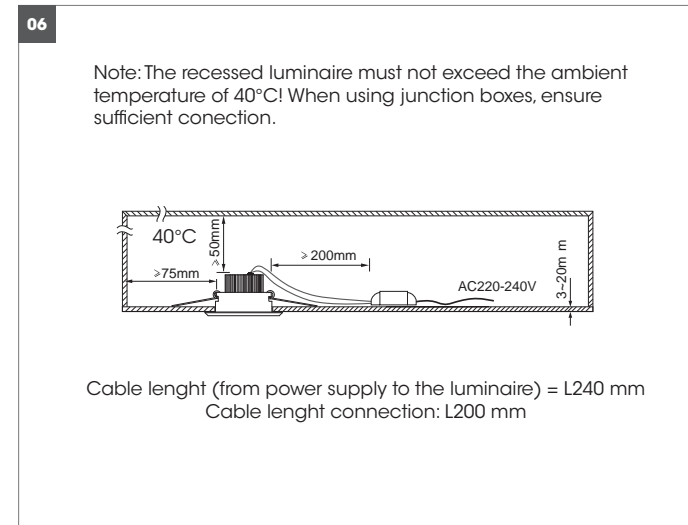
Make sure the downlight fixed tightly in ceiling!

Turn on the power.



It is not allowed to cover luminaires with heatinsulating cover sheet or similar materials!

Another installation / assembly / materials / types than provided in the manual sheets, release us from any electrotechnical and electrostatic responsibility.



06. Please make sure to leave the distance between the lights, between the light and the provided LED power supply, and between the light and the wall. The distance from the provided LED power supply to the edge of cutting hole must be more than 200mm. Make sure the wiring and the plugs are all in correct and workable situation. After check, turn on the power.