

DESCRIPTION OF PARTS

LED recessed downlight including external LED driver.
Dimming range from 3000K to 1800K.

TECHNICAL DATA

Power supply:
220-240V 50Hz
Total power: 7W
Protection class: II

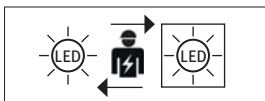
Dimensions:
Luminaire body: $\varnothing 82$ mm
(ceiling opening: $\varnothing 68$ mm)
installation depth: 50 mm

Triac dimmable phase cut
Dimming 3000K - 1800K
CRI 90
Protection type: IP44
Installation:
Ceiling recessed mounted

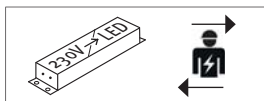
Dimensions LED Driver
without connection cable
LxDxH: 85x38x23 mm
Preferably phase section
Beam angle: 38°
Swiveling: 30°

Light source: Bridgelux - BXRV-DR-1830H-1000-A-13
This luminaire contains a light source of energy efficiency class **G**

The product consists of two components. Luminaire with light source and external LED Driver.



The light source is only exchangeable by a professional.



The LED driver is only exchangeable by a professional.



Protection class II



Notification of Risks



CE label



Safety Instructions



Operation only indoors and outdoors (under roof).



Cleaning Instructions



The product may not be disposed of in the household garbage.



It is not allowed to cover luminaires with heatinsulating cover sheet or similar materials!



Please be careful when touching the body of the luminaire!



Don't look directly into the LED! The LED is that bright that it might damage your eyes!



Dimmable TRIAC



Installation only by qualified and authorised persons.

DISPOSAL

The packaging consists of environmentally friendly materials. Dispose of them in the local recycling containers.



Do not dispose of this product in the household garbage when it has reached the end of its lifecycle, but rather take it to a disposal center. Your local officials will provide you with information about collection offices and their business hours.

SAFETY



READ THE INSTRUCTIONS BEFORE USING THIS PRODUCT. KEEP THE SAFETY AND OPERATING INSTRUCTIONS FOR FUTURE USE.

The warranty claim and guarantee is rendered invalid in the event of damage to the product, which is caused by not following the operating instructions. We are not liable for the consequent damage. Because of specific characteristics of LED's (life, deviation in colour etc.) we formulated special terms for planning and installing our LED products. They are part of these installation manual! Should they not be available, request them please! Don't look directly into the LED! The LED is that bright that it might damage your eyes!

SAFETY INFORMATION

IP44

- The luminaire is only suitable for indoor and covered outdoor use.
- The LED light is provided for load-bearing and suspended ceiling with ceiling cut-out according to data sheet. Sizes see technical data.
- Please consider the minimum insertion depth, space of additional 30 mm must be respected around (see technical data).



- Don't install under power.
- Follow the instruction manual for installation.
- Installation only by qualified and authorised persons.
- Do not use the product when it has been damaged (defective covers) or there are operational faults such as flickering, smoking, steaming, crackling noises or the smell of smoke.
- A damaged or defective product must be changed or repaired by the manufacturer, a service person or a comparable qualified person.
- Installation only under observance of the valid guidelines specific to application and country among others VDE 0.100.
- Never open one of the electrical operating agents or plug any objects into them. Such procedures signify a danger to life through electrical shock.
- Absolutely avoid contact between the product and water or other liquids. For reasons of electrical safety, the light may not be placed in contact with water or other liquids or submerged in water.
- The product may not be changed or modified.
- Don't look directly into the LED! The LED is that bright that it might damage your eyes!



MAINTENANCE AND CLEANING

The light source is only exchangeable by a professional.

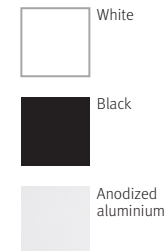


- Do not use solvents, such as benzene and similar agents. The light would be damaged thereby.
- Only use a dry, lint-free cloth for cleaning the product.

ELRS Dim to warm

LED Downlight

ELRS-6DTW1
ELRS-6DTW2
ELRS-6DTW7



INTENDED USAGE

This product will only serve the purpose of illumination.

SCOPE OF DELIVERY

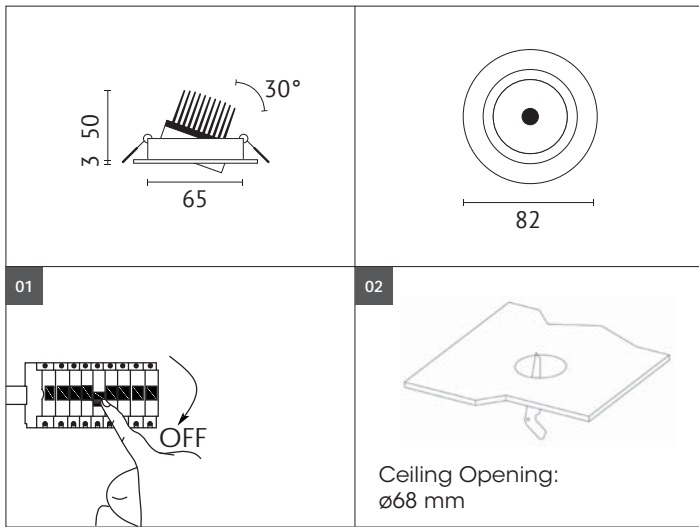
1 x LED light
1 x LED converter
1 x manual for assembly, operation and safety


TECHNICAL CHANGES

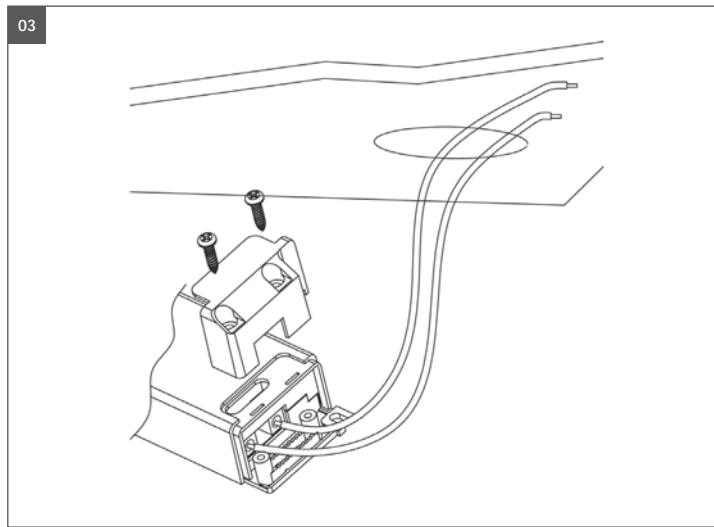
Changes in the sense of technical progress can be made without prior notice.

address | contact

A.L.S. GmbH
Mastorter Str. 31 | 88069 Tettnang (Germany)
Tel.: +49 (0) 75 42 93 44-0 | Fax.: +49 (0) 75 42 93 44-30
E-Mail: info@als.de | Web: www.als.de

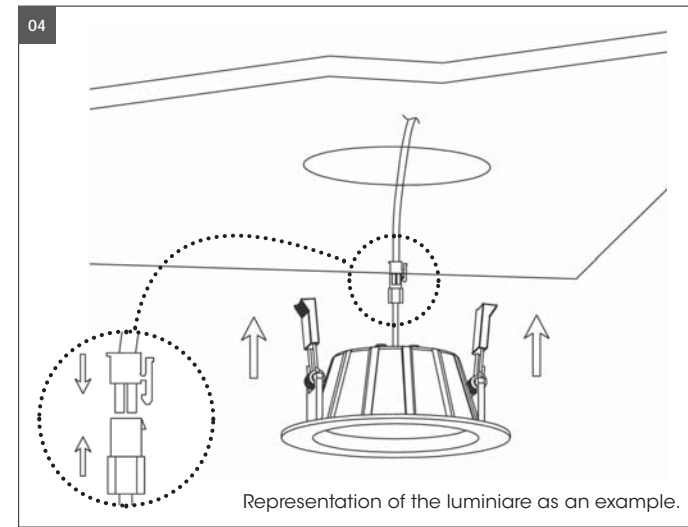


 Switch off before installation. Switch on only after complete installation and examination of the circuit. Professional electrician for installation and maintenance only. Turn Off power supply before starting any installation. Read instructions & check you have all the tools & accessories to complete the installation correctly. Open a hole according to the cutout size of led downlight.

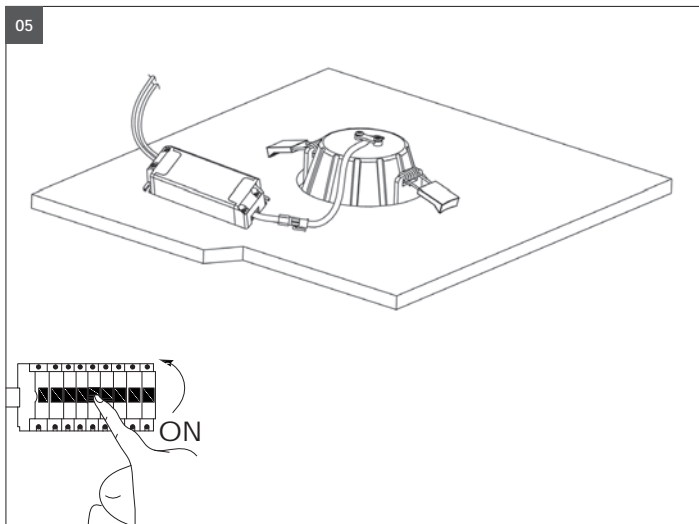


Feed the main AC 230V 50Hz wire L, N. in terminal block respectively, then fix the cover back (strain relief).

Fixing materials: strain relief, clamps
The warranty is void if the buyer or a third party repairs or modifies the luminaire.



Connect the downlight with driver, hold back the spring clip then push the downlight into the hole.
The luminaire is not suitable for attachment to uneven surfaces. Use only suitable concrete installation boxes with a separate installation box for the LED driver. Check that the LED installation downlight is securely attached. Otherwise the lamp may fall down. Damage to the product and / or injuries may result.



Make sure the downlight fixed tightly in ceiling!

Turn on the power.



It is not allowed to cover luminaires with heatinsulating cover sheet or similar materials!

Another installation / assembly / materials / types than provided in the manual sheets, release us from any electrotechnical and electrostatic responsibility.