

DESCRIPTION OF PARTS

Mounting frame white incl. screws

TECHNICAL DATA

Dimension: L625mm x W625mm x H70mm



Notification of Risks



Installation only by qualified and authorised persons.



Safety Instructions



The product may not be disposed of in the household garbage.



Cleaning Instructions

MAINTENANCE AND CLEANING



- Do not use solvents, such as benzene and similar agents. The light would be damaged thereby.
- Only use a dry, lint-free cloth for cleaning the product.

DISPOSAL

The packaging consists of environmentally friendly materials. Dispose of them in the local recycling containers.



Do not dispose of this product in the household garbage when it has reached the end of its lifecycle, but rather take it to a disposal center. Your local officials will provide you with information about collection offices and their business hours.

SAFETY



READ THE INSTRUCTIONS BEFORE USING THIS PRODUCT. KEEP THE SAFETY AND OPERATING INSTRUCTIONS FOR FUTURE USE.

SAFETY INFORMATION



- Installation only by qualified and authorised persons.
- The frame is not suitable for attaching on uneven surface. The frame may otherwise fall. This can result in product damage and / or injuries.
- Before installing the frame please check capacity of ceiling/ beams, only use mounting material that is suitable for installation. After installation, check that the frame is firmly in position. The luminaire may otherwise it will fall down. This can result in product damage and / or injuries.
- **Please note the underlying installations during drilling!**
- Do not use the product when it has been damaged. smoking, steaming, crackling noises or the smell of smoke.
- A damaged or defective product must be changed or repaired by the manufacturer, a service person or a comparable qualified person.
- The product may not be changed or modified.

ELEDB-AUR626N

Mounting frame for ELEDB ceiling recessed luminaire

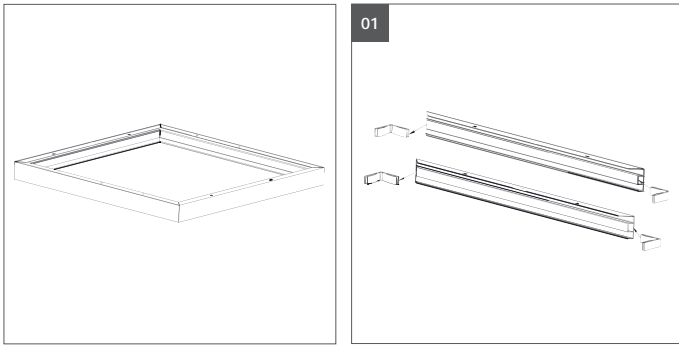
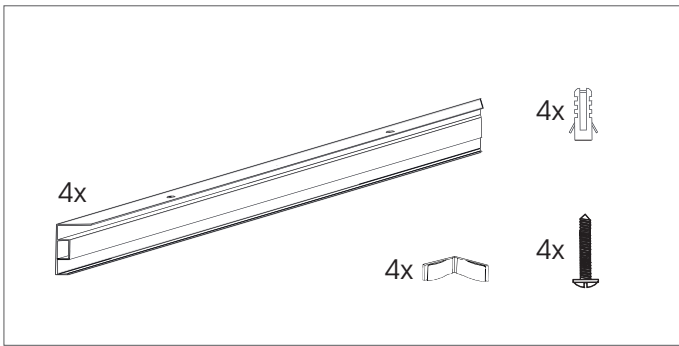


INTENDED USAGE

- 1 x Mounting frame with mounting material
- 1 x Set of instructions for assembly, operation and safety

address | contact

A.L.S. GmbH
Mastorter Str. 31 | 88069 Tettnang (Germany)
Tel.: +49 (0) 75 42 93 44-0 | Fax.: +49 (0) 75 42 93 44-30
E-Mail: info@als.de | Web: www.als.de



Assembly instructions



Turn Off power supply before starting any installation.
Do not connect the device under power.

Another installation / assembly / materials / types than provided in the manual sheets, release us from any electrotechnical and electrostatic responsibility.
Please note the underlying installations during drilling!

- 01. Remove frame elements and connectors from the packaging.
- 02. Assemble frame elements A, B, C and D with connectors.
- 03. Transfer drilling positions (mounting holes) from the frame to the ceiling.
Frame element D must not be attached to the ceiling! Fix frame elements A and C to the ceiling with dowels and screws. **When tightening the screws, do not deform the frame.**
- 04. Remove frame element D.
- 05. Connect the LED luminaire to the power supply and insert it into the frame.
- 06. Install frame element D. Check frame and LED panel for tightness. Turn on the power.

