

DESCRIPTION OF PARTS

LED panel 620x620x9 mm recessed ceiling luminaire
UGR <19
Painted aluminium frame RAL 9003
Seamless corner, no light leak
Optional mounting frame, order number: ELEDN-AUR626

TECHNICAL DATA

LED incl. driver
220-240V~ 50/60 Hz
Total power consumption: 30 W
Dimensions: 620x620x9 mm

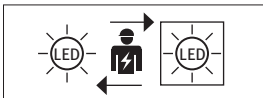
IP class 20
Protection class: II
Flickerfree

Not dimmable
DDH-30NW11P, light colour: 4000K
Light source: EP830932-2-30NW1
DDH-30WW11P, light colour: 3000K
Light source: EP830932-2-30WW1

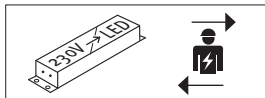
This luminaire contains two light sources of energy efficiency class **D**

Dimmable:
DDH-30NW11PDD (DALI), light colour: 4000K (light source see above)
DDH-30WW11PDD (DALI), light colour: 3000K (light source see above)

The product consists of two components. Luminaire with light source and external LED Driver.



The light source is only exchangeable by a professional.



The LED driver is only exchangeable by a professional.

LIGHT SOURCE

LED
Prismatic PMMA reflector

LED DRIVER

Nominal voltage, primary: 220-240V~ (50/60 Hz)
Pouf 36W iout 0.7-0.85A



Protection class II



Notification of Risks



CE label



Safety Instructions



The product is only for use in interiors.



Cleaning Instructions



The product may not be disposed of in the household garbage.



It is not allowed to cover luminaires with heatinsulating cover sheet or similar materials!



Installation may only be carried out by qualified personnel



Optional dimmable
(see page 2)
- 1-10V
- DALI

SAFETY



READ THE INSTRUCTIONS BEFORE USING THIS PRODUCT.
KEEP THE SAFETY AND OPERATING INSTRUCTIONS FOR FUTURE USE.



- The light is only suitable for use in interiors, in dry, enclosed rooms.
- The light is not suitable for attaching on uneven surface. The light may otherwise fall. This can result in product damage and / or injuries.



- Don't install under power.
- Follow the instruction manual for installation.
- Installation only by qualified and authorised persons.
- Do not use the product when it has been damaged (defective covers) or there are operational faults such as flickering, smoking, steaming, crackling noises or the smell of smoke.
- A damaged or defective product must be changed or repaired by the manufacturer, a service person or a comparable qualified person.
- Installation only under observance of the valid guidelines specific to application and country among others VDE 0.100.
- Never open one of the electrical operating agents or plug any objects into them. Such procedures signify a danger to life through electrical shock.
- Absolutely avoid contact between the product and water or other liquids. For reasons of electrical safety, the light may not be placed in contact with water or other liquids or submerged in water.
- The product may not be changed or modified.

MAINTENANCE AND CLEANING

The light source is only exchangeable by a professional.



- Do not use solvents, such as benzene and similar agents. The light would be damaged thereby.
- Only use a dry, lint-free cloth for cleaning the product.

DISPOSAL



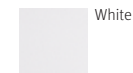
The packaging consists of environmentally friendly materials. Dispose of them in the local recycling containers.

Do not dispose of this product in the household garbage when it has reached the end of its lifecycle, but rather take it to a disposal center. Your local officials will provide you with information about collection offices and their business hours.

DDH-30

Mounted luminaire/Recessed ceiling luminaire

DDH-30NW11P
DDH-30WW11P
DDH-30NW11PDD
DDH-30WW11PDD



INTENDED USAGE

This product will only serve the purpose of illumination.

The light is only suitable for use in interiors, in dry, enclosed rooms.

SCOPE OF DELIVERY

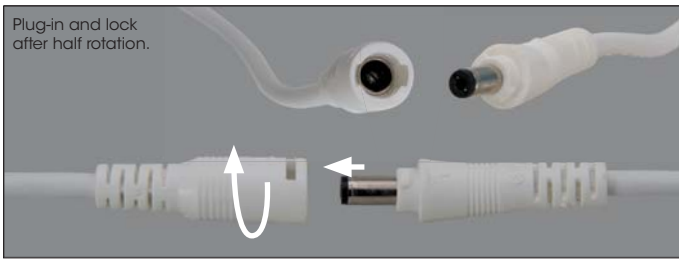
1 x LED light
1 x converter with LED plug-connection.
1 x set of instructions for assembly, operation and safety

TECHNICAL CHANGES

Changes in the sense of technical progress can be made without prior notice.

address | contact

A.L.S. GmbH
Mastorter Str. 31 | 88069 Tettnang (Germany)
Tel.: +49 (0) 75 42 93 44-0 | Fax.: +49 (0) 75 42 93 44-30
E-Mail: info@als.de | Web: www.als.de



In case of ceiling installation place LED converter sideways to the light.



Please check that the lamp has an electronic ballast with connection for functional earth. If so, please connect the functional earth according to the valid standards and guidelines!

Assembly instructions for LED panel

Carefully remove the LED panel from its packaging. Over the corner edge of the light carefully put it into the ceiling section. Avoid mechanical tensions on panel, the light should have some space.

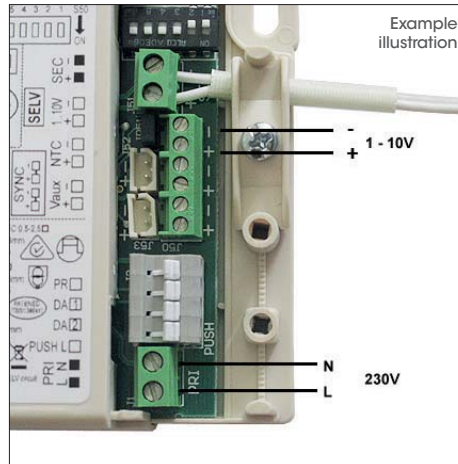


Turn Off power supply before starting any installation. Do not connect the device under power. Connect the supply cables according to the electrical regulations to the primary connection 230V AC to LED converter.

The electrical connection from LED panel to the converter is connected with a plug-in connector. Do not unplug before switching on, also not during operating the lamp.

Only use the supplied LED converter! Other converters or transformers may destroy the light. **The DIP setting is light-related and must not be changed!!**

01 Version 1 -10V



Lock the plug-in connection between the lamp and the converter by turning it half rotation. Connect the LED power supply to main power and connect the LED power supply with the light, see Fig. Connect the wires at the power supply on primary and secondary side. Max. conductor cross-section max. 1,5 mm². **The DIP setting is light-related and must not be changed!**



It is not allowed to cover LED panel and LED converter with heatinsulating cover sheet or similar materials! Additional drillings in the LED luminaire are not allowed! Do not place the LED converter on the LED pendant luminaire to avoid unnecessary transfer of heat.

Another installation / assembly / materials / types than provided in the manual sheets, release us from any electrotechnical and electrostatic responsibility.

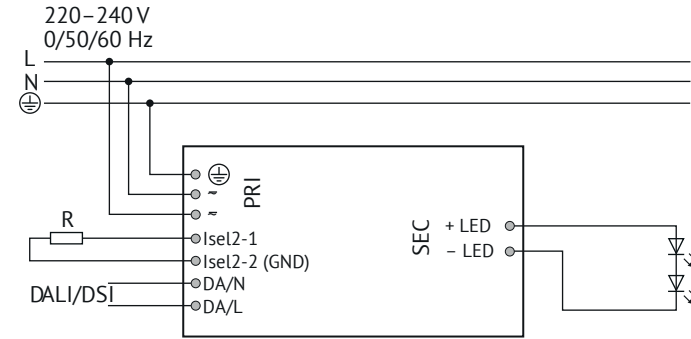


DALI-Version:
Delay on first power up or power interruption. The luminaire registers with its address on the DALI BUS and exchange the parameters here. The parameterization (at first use) is done with programs offered on the internet (for example TRIDONIC masterCONFIGURATOR).

I-SELECT Dali-Version:
The resistance must not be changed (only after consultation with the manufacturer).

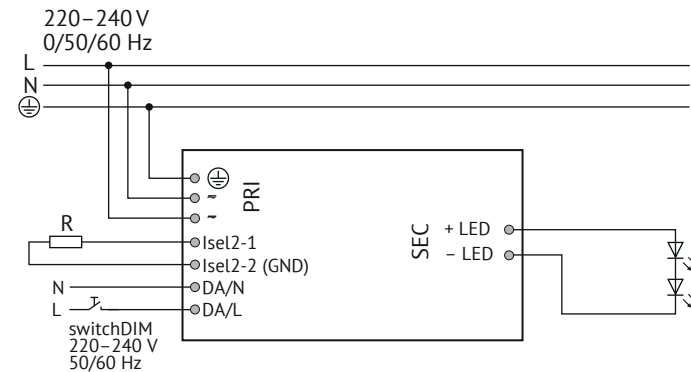
Fixing materials:
Pendant mounting order number Z-ELEDN
Assembly frame order number ELEDN-AUR626
The warranty is void if the buyer or a third party repairs or modifies the luminaire.

02 DALI



Lock the plug-in connection between the lamp and the converter by turning it half rotation. Connect the LED power supply to main power and connect the LED power supply with the light, see Fig. Connect the wires at the power supply on primary and secondary side. conductor cross-section max. 1,5 mm²

03 SwitchDIM



Lock the plug-in connection between the lamp and the converter by turning it half rotation. Connect the connection cables to the power supply, see Fig. Then connect the power supply to the luminaire and connect the power supply unit to the power supply max., conductor cross section max. 1.5 mm². For the PUSH -L dimming input always only use the phase that also powers the power supply! **The DIP setting is light-related and must not be changed!**