

DESCRIPTION OF PARTS

Wall and ceiling-mounted luminaire LED 18W
Body colour: white
Dimension: 240 x 240 x 38mm

TECHNICAL DATA

LED luminaire with sensor and an integrated converter, 220-240V
50/60 Hz 18 W

CEL-18NW1S = 4000k
CEL-18WW1S = 3000K
non-dimmable
protection class II

LAMP

LED

SAFETY



READ THE INSTRUCTIONS BEFORE USING THIS PRODUCT.
KEEP THE SAFETY AND OPERATING INSTRUCTIONS FOR
FUTURE USE.

SAFETY INFORMATION



- The light is only suitable for use indoors or in roofed outdoor areas.
- The light is not suitable for attaching on uneven surface. The light may otherwise fall. This can result in product damage and / or injuries.

- Don't install under power.
- Follow the instruction manual for installation.
- Installation only by qualified and authorised persons.
- Do not use the product when it has been damaged (defective covers) or there are operational faults such as flickering, smoking, steaming, crackling noises or the smell of smoke.
- A damaged or defective product must be changed or repaired by the manufacturer, a service person or a comparable qualified person.
- Installation only under observance of the valid guidelines specific to application and country among others VDE 0.100.
- Never open one of the electrical operating agents or plug any objects into them. Such procedures signify a danger to life through electrical shock.
- Absolutely avoid contact between the product and water or other liquids. For reasons of electrical safety, the light may not be placed in contact with water or other liquids or submerged in water.
- The product may not be changed or modified.

MAINTENANCE AND CLEANING



- The LED light agent cannot be replaced.
- Do not use solvents, such as benzene and similar agents. The light would be damaged thereby.
- Only use a dry, lint-free cloth for cleaning the product.

DISPOSAL

The packaging consists of environmentally friendly materials. Dispose of them in the local recycling containers.

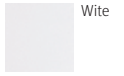


Do not dispose of this product in the household garbage when it has reached the end of its lifecycle, but rather take it to a disposal center. Your local officials will provide you with information about collection offices and their business hours.

CEL Sensor

Wall and ceiling-mounted luminaire with sensor

CEL-18NW1S
CEL-18WW1S



White



INTENDED USAGE

This product will only serve the purpose of illumination.

The light is only suitable for use indoors or in roofed outdoor areas.

SCOPE OF DELIVERY

- 1 x LED luminaire
- 1 x set of instructions for assembly, operation and safety
- 1 x mounting kit



Protection class II



Notification of Risks



CE label



Safety Instructions



The light is only suitable for use indoors or in roofed outdoor areas.



Cleaning Instructions



The product may not be disposed of in the household garbage.



TÜV Rheinland certified

address | contact

A.L.S. GmbH
Mastorter Str. 31 | 88069 Tettnang (Germany)
Tel.: +49 (0) 75 42 93 44-0 | Fax.: +49 (0) 75 42 93 44-30
E-Mail: info@als.de | Web: www.als.de

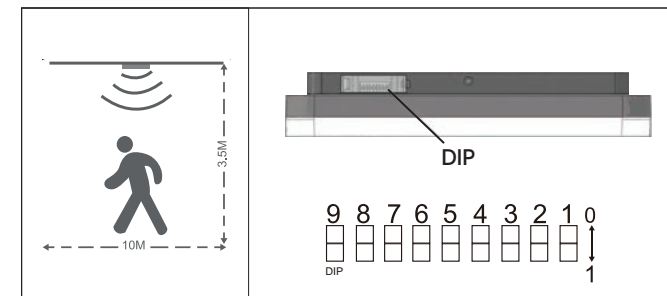
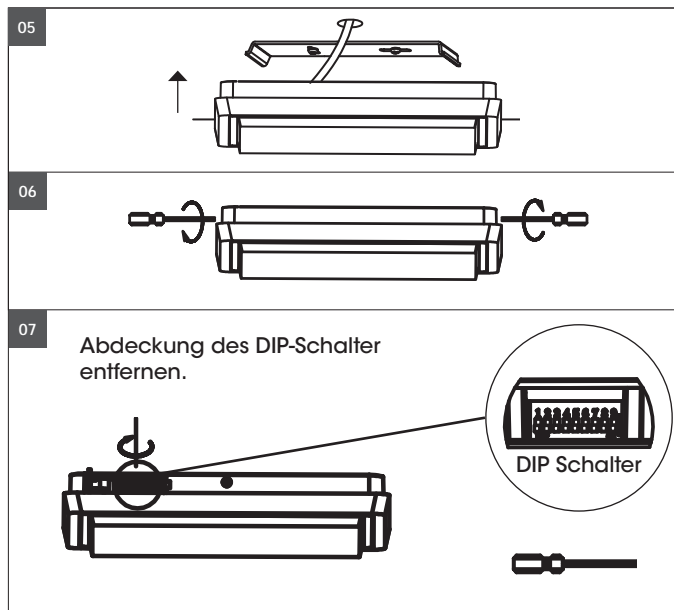
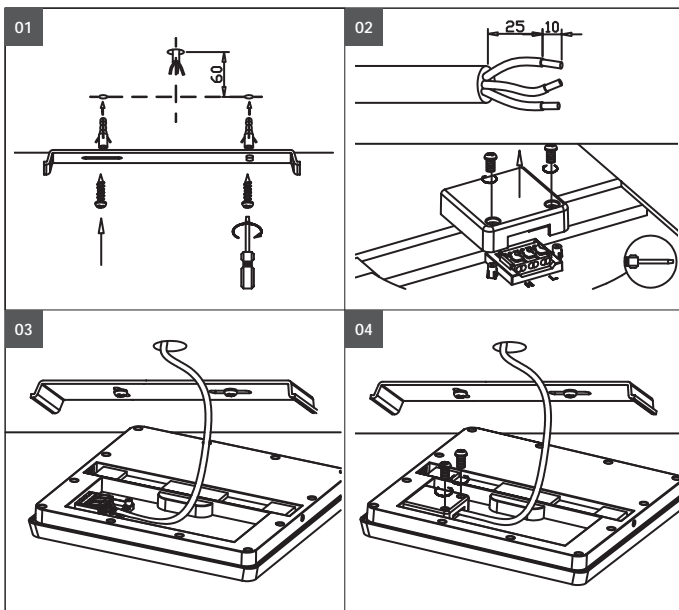


Table 1

Detecting distance			
No.	1	2	3
Min.	0	0	0
Mid.	1	0	0
Max.	1	1	1
Min	1,0 - 2,0 meters		
Mid	2,5 - 3,5 meters		
Max	4,5 - 5,5 meters		

Table 2

Time delay			
No.	4	5	6
5 sec.	0	0	0
30 sec.	0	0	1
2 min.	0	1	0
5 min.	0	1	1
10 min.	1	0	1
24 h	1	1	1

Table 3

Light sensibility			
No.	7	8	9
OFF	0	0	0
10 lux	0	0	1
20 lux	0	1	0
50 lux	0	1	1
200 lux	1	0	1
500 lux	1	1	1

Assembly instructions



Turn Off power supply before starting any installation!
Do not connect the device under power!

Carefully remove the LED luminaire from its packaging. Using the Allen wrench supplied to remove the lateral screws and remove the mounting bracket from the LED luminaire.

Picture 01: Transfer the mounting holes on ceiling/wall with mounting bracket. Check for underlying installations before drilling. Mounting the bracket with the enclosed accessory. Note that the mounting bracket is not bent when tightening the screws!

Picture 02: Remove cover of the connecting terminal.

Picture 03: Attach the power supply cable to the primary 230V terminal in accordance with the electrical codes.

Picture 04: Fix back cover of connecting terminal.

Picture 05: Put the LED luminaire on the mounting bracket.

Picture 06: Using the Allen wrench to tighten the two mounting screws on the side.

Carefully check the solidity of the LED luminaire.
 Turn on the power.

HF detection sensor



LED light with an integrated HF sensor with corridor function. For settings use the chart.

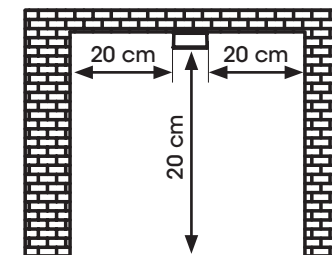
Picture 07: For adjustment, use the switches behind the cover on the side of the LED light.

Default setting:

Light sensibility: 10 Lux
 Detecting sensitivity: 4,5 - 5,5 m
 Detecting sensitivity max.: 3,5 m (H) x 10 m (L)



The minimum mounting distance of 20 cm from wall to wall and ceiling to floor must be observed.



With the Sensor version, structural material properties (metallic surfaces) can impair the sensor's triggering properties. If the detection sensitivity is set too high, the lamp may be triggered by movement of persons located in the neighboring room.

Fixing materials

- Allen key
- dowel
- screws