


DESCRIPTION OF PARTS

LED recessed luminaire, Body in die-cast aluminium, powder coated, Splay springs, Reflector in aluminium, incl. remote power supply

TECHNICAL DATA

Dimensions Ø 160, H135 mm | Ceiling cutout: Ø 150 mm
Swivelling: 45° | Rotatable 355°

Not dimmable | Protection class: II | Protection class: IP20 | installation site: interior

	White	White/black	Black	Black/white	
27W / 220-240V / AC750mA					
4000K	BWL-30NW1	BWL-30NW1-2	BWL-30NW2	BWL-30NW2-1	30°
3500K	BWL-30WNW1	BWL-30WNW1-2	BWL-30WNW2	BWL-30WNW2-1	30°
3000K	BWL-30WW1	BWL-30WW1-2	BWL-30WW2	BWL-30WW2-1	30°
2700K	BWL-30SW1	BWL-30SW1-2	BWL-30SW2	BWL-30SW2-1	30°
4000K					
4000K	BWL-30NW1F	BWL-30NW1-2F	BWL-30NW2F	BWL-30NW2-1F	60°
3500K	BWL-30WNW1F	BWL-30WNW1-2F	BWL-30WNW2F	BWL-30WNW2-1F	60°
3000K	BWL-30WW1F	BWL-30WW1-2F	BWL-30WW2F	BWL-30WW2-1F	60°
2700K	BWL-30SW1F	BWL-30SW1-2F	BWL-30SW2F	BWL-30SW2-1F	60°
41W / 220-240V / AC1050mA					
4000K	BWL-40NW1	BWL-40NW1-2	BWL-40NW2	BWL-40NW2-1	30°
3500K	BWL-40WNW1	BWL-40WNW1-2	BWL-40WNW2	BWL-40WNW2-1	30°
3000K	BWL-40WW1	BWL-40WW1-2	BWL-40WW2	BWL-40WW2-1	30°
2700K	BWL-40SW1	BWL-40SW1-2	BWL-40SW2	BWL-40SW2-1	30°
4000K					
4000K	BWL-40NW1F	BWL-40NW1-2F	BWL-40NW2F	BWL-40NW2-1F	60°
3500K	BWL-40WNW1F	BWL-40WNW1-2F	BWL-40WNW2F	BWL-40WNW2-1F	60°
3000K	BWL-40WW1F	BWL-40WW1-2F	BWL-40WW2F	BWL-40WW2-1F	60°
2700K	BWL-40SW1F	BWL-40SW1-2F	BWL-40SW2F	BWL-40SW2-1F	60°

Light source: CITIZEN ELECTRONICS Co., LTD.

BWL-30NW **CLU038-1208C4-403H5M3-F1** BWL-40NW **CLU48-1211C4-403H5M3-F1**

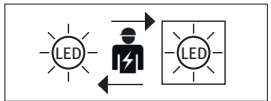
BWL-30WNW **CLU038-1208C4-353H6M3-F1** BWL-40WNW **CLU48-1211C4-353H6M3-F1**

BWL-30WW **CLU038-1208C4-303H5M3-F1** BWL-40WW **CLU48-1211C4-303H5M3-F1**

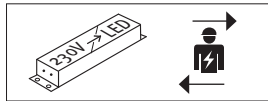
BWL-30SW **CLU038-1208C4-273H5M3-F1** BWL-40SW **CLU48-1211C4-273H5M3-F1**

This luminaires contains one light source of energy efficiency class E

The product consists of two components. Luminaire with light source and internal power supply.



The light source is only exchangeable by a professional.



The LED driver is only exchangeable by a professional.



Protection class II



Notification of Risks



LED luminaire is not dimmable



CE label



Safety Instructions



The product is only for use in interiors.



Cleaning Instructions



The product may not be disposed of in the household garbage.



Do not cover the luminaire with insulating material



Don't look directly into the LED! The LED is that bright that it might damage your eyes!



Installation only by qualified and authorised persons

SAFETY



READ THE INSTRUCTIONS BEFORE USING THIS PRODUCT. KEEP THE SAFETY AND OPERATING INSTRUCTIONS FOR FUTURE USE.

The warranty claim and guarantee is rendered invalid in the event of damage to the product, which is caused by not following the operating instructions. We are not liable for the consequent damage. Because of specific characteristics of LED's (life, deviation in colour etc.) we formulated special terms for planning and installing our LED products. They are part of these installation manual! Should they not be available, request them please!

SAFETY INFORMATION



- The light is suitable for lighting purpose indoors.
- The LED light is provided for load-bearing and suspended ceiling with ceiling cut-out according to data sheet. Sizes see technical data.
- Do not attach any additional loads such as decorations and / or signs to the luminaire!



- Don't install under power.
- Follow the instruction manual for installation.
- Installation only by qualified and authorised persons.
- Do not use the product when it has been damaged (defective covers) or there are operational faults such as flickering, smoking, steaming, crackling noises or the smell of smoke.
- A damaged or defective product must be changed or repaired by the manufacturer, a service person or a comparable qualified person.
- Installation only under observance of the valid guidelines specific to application and country among others VDE 0.100.
- Never open one of the electrical operating agents or plug any objects into them. Such procedures signify a danger to life through electrical shock.
- Absolutely avoid contact between the product and water or other liquids. For reasons of electrical safety, the light may not be placed in contact with water or other liquids or submerged in water.
- The product may not be changed or modified.
- Don't look directly into the LED! The LED is that bright that it might damage your eyes!
- The luminaire must not be exposed to high levels of dust.



MAINTENANCE AND CLEANING

The light source is only exchangeable by a professional.



- Do not use solvents, such as benzene and similar agents. The light would be damaged thereby.
- Only use a dry, lint-free cloth for cleaning the product.

DISPOSAL

The packaging consists of environmentally friendly materials. Dispose of them in the local recycling containers.



Do not dispose of this product in the household garbage when it has reached the end of its lifecycle, but rather take it to a disposal center. Your local officials will provide you with information about collection offices and their business hours.

BWL

LED recessed luminaire

BWL-30 BWL-40



Weiß



Weiß/
schwarz



Schwarz



Schwarz/
weiß



INTENDED USAGE

This product will only serve the purpose of illumination.

SCOPE OF DELIVERY

LED recessed luminaire incl. remote power supply
Set of instructions for assembly, operation and safety

TECHNICAL CHANGES

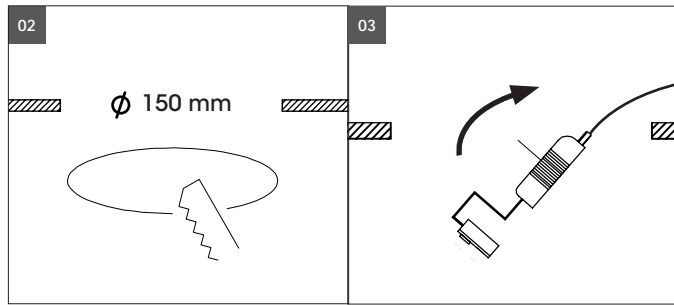
Changes in the sense of technical progress can be made without prior notice.

address | contact

A.L.S. GmbH
Mastorter Str. 31 | 88069 Tettnang (Germany)
Tel.: +49 (0) 75 42 93 44-0 | Fax.: +49 (0) 75 42 93 44-30
E-Mail: info@als.de | Web: www.als.de



01 Switch off before installation. Switch on only after complete installation and examination of the circuit. Professional electrician for installation and maintenance only. Turn Off power supply before starting any installation. Read instructions & check you have all the tools and accessories to complete the installation correctly.



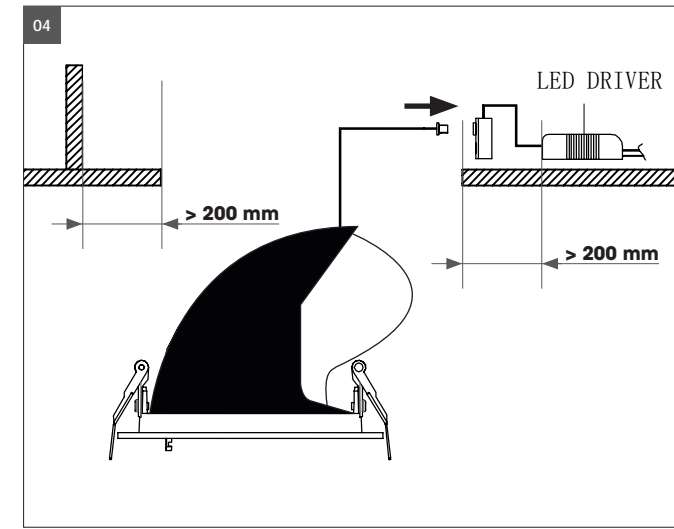
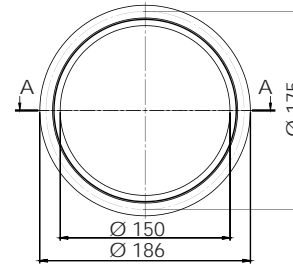
Accessories (not included)



Adapter ring for BWL with existing ceiling cutout $\varnothing 175$ mm

White
Art.-Nr. **Z-RBWL1**

Black
Art.-Nr. **Z-RBWL2**

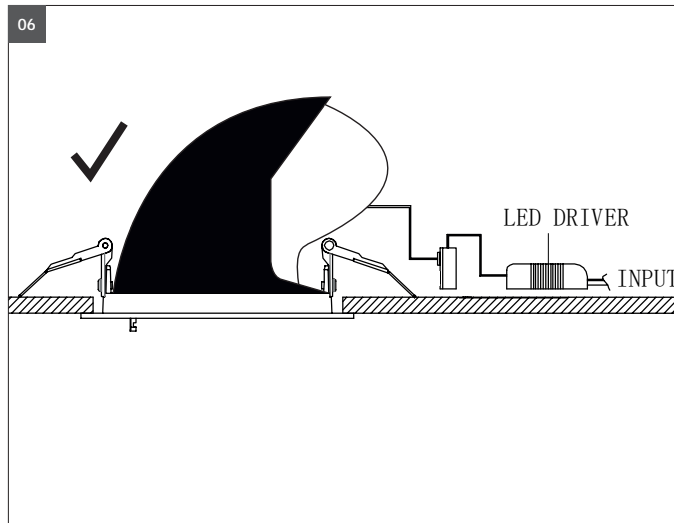
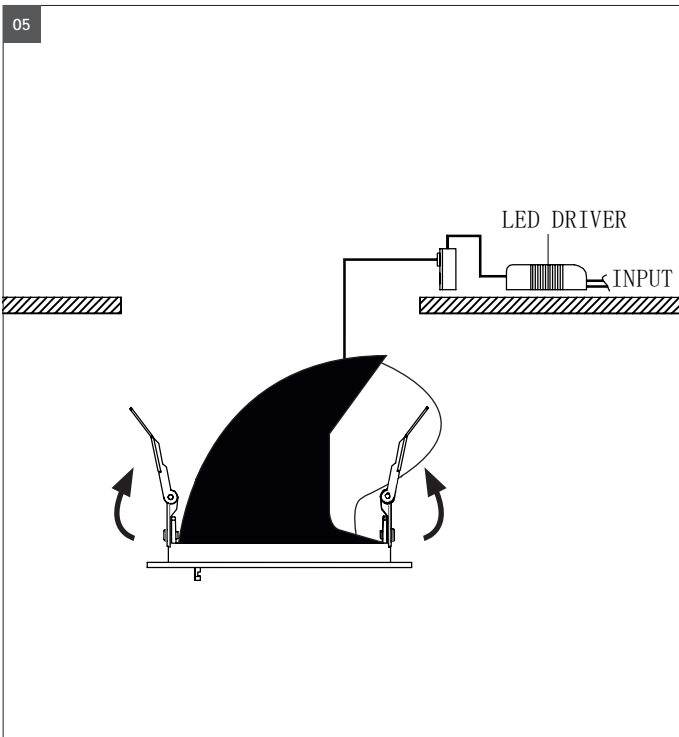


03 Installation only under observance of the valid guidelines specific to application and country among others VDE 0.100.

Please note! The distance between the LED luminaire and the provided LED power supply, and the distance between the LED luminaire to a wall must be more than 200 mm.

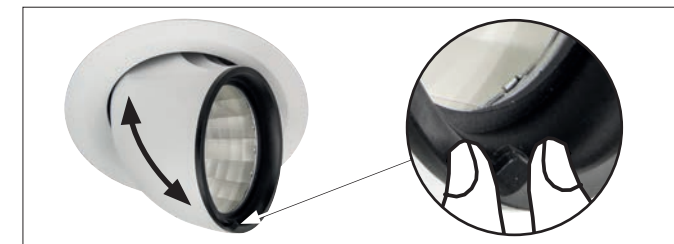
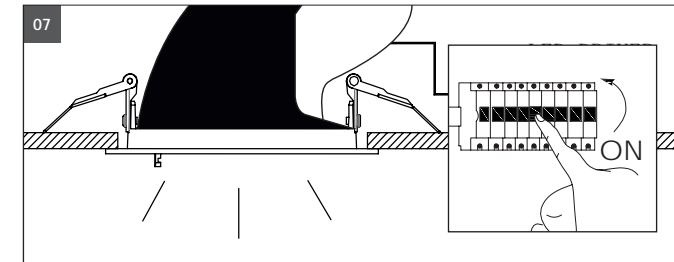
Fixing materials:

The warranty is void if the buyer or a third party repairs or modifies the luminaire.



Technical note:

The recessed luminaire should not exceed the ambient temperature of 40° C! When using an installation box, ensure sufficient convection.



07 After installation and connection, switch on the mains voltage all-pole. Switch on the associated circuit breaker or turn the fuse on.



Avoid looking too long in the light exit near the light, they could damage your eyes.

Another installation / assembly / materials / types than provided in the manual sheets, release us from any electrotechnical and electrostatic responsibility.