

## DESCRIPTION OF PARTS

Linear LED track light with 3-phase adapter and integrated, LED power supply  
Housing: Die-cast aluminum, colour: Black and white

## TECHNICAL DATA



**Technical note: The leakage current of each luminaire is 0.9mA, therefore do not operate more than 10 luminaires via an RCD (FI) circuit breaker 30mA! Without RCD (FI) see circuit breaker information.**

### Article number

BRI-40NW1x BRI-40NW1xDA (double asymmetrical) BRI-40NW1xF (Flood)	BRI-40WW1x BRI-40WW1xDA (double asymmetrical) BRI-40WW1xF (Flood)	BRI-60NW1x BRI-60NW1xDA (double asymmetrical) BRI-60NW1xF (Flood)	BRI-60WW1x BRI-60WW1xDA (double asymmetrical) BRI-60WW1xF (Flood)
--	--	--	--

### Light color

4000K	3000K	4000K	3000K
-------	-------	-------	-------

### Connected load (220-240V, 50-60 Hz)

41W	61W
-----	-----

**Inrush current:** 51 VAR (at about 265 µs)

### Circuit breaker

**9 pcs** (circuit breaker type B)  
**16 pcs** (circuit breaker type C) at 230V

Dimensions (LxWxH): 1150x80x80 mm

Protection class: I

Installation: indoors

Protection type: IP20

Weight: 4.2 kg

Not dimmable

The LED light agent cannot be replaced.

## ACCESSORIES

**Lenses:** Z-RBRI40-90, Z-RBRI60-90, Z-RBRI60-DA



Protection class I



Notification of Risks



Not dimmable



CE label



Safety Instructions



The product is only for use in interiors.



Cleaning Instructions



The product may not be disposed of in the household garbage.



It is not allowed to cover luminaires with heatinsulating cover sheet or similar materials!



Don't look directly into the LED! The LED is that bright that it might damage your eyes!



Installation only by qualified and authorised persons.

## DISPOSAL

The packaging consists of environmentally friendly materials. Dispose of them in the local recycling containers.



Do not dispose of this product in the household garbage when it has reached the end of its lifecycle, but rather take it to a disposal center. Your local officials will provide you with information about collection offices and their business hours.

## SAFETY



READ THE INSTRUCTIONS BEFORE USING THIS PRODUCT. KEEP THE SAFETY AND OPERATING INSTRUCTIONS FOR FUTURE USE.



The warranty claim and guarantee is rendered invalid in the event of damage to the product, which is caused by not following the operating instructions. We are not liable for the consequent damage. Because of specific characteristics of LED's (life, deviation in colour etc.) we formulated special terms for planing and installing our LED products. They are part of these installation manual! Should they not be available, request them please! Don't look directly into the LED! The LED is that bright that it might damage your eyes! Surface radiates heat!

## SAFETY INFORMATION



- The light is suitable for lighting purpose indoors.
- The LED light is provided for load-bearing and suspended ceiling with ceiling cut-out according to data sheet. Sizes see technical data.
- Do not attach any additional loads such as decorations and / or signs to the luminaire!



- Don't install under power.
- Follow the instruction manual for installation.
- Installation only by qualified and authorised persons.
- Do not use the product when it has been damaged (defective covers) or there are operational faults such as flickering, smoking, steaming, crackling noises or the smell of smoke.
- A damaged or defective product must be changed or repaired by the manufacturer, a service person or a comparable qualified person.
- Installation only under observance of the valid guidelines specific to application and country among others VDE 0.100.
- Never open one of the electrical operating agents or plug any objects into them. Such procedures signify a danger to life through electrical shock.
- Absolutely avoid contact between the product and water or other liquids. For reasons of electrical safety, the light may not be placed in contact with water or other liquids or submerged in water.
- The product may not be changed or modified.



## MAINTENANCE AND CLEANING

The LED light agent cannot be replaced.



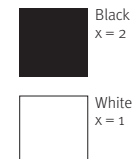
- Do not use solvents, such as benzene and similar agents. The light would be damaged thereby.
- Only use a dry, lint-free cloth for cleaning the product.

## BRICK

Linear LED track light

BRI-40NW1x / BRI-40WW1x  
BRI-40NW1xDA / BRI-40WW1xDA  
(double asymmetrical)  
BRI-40NW1xF / BRI-40WW1xF (Flood)

BRI-60NW1x / BRI-60NW1x  
BRI-60NW1xDA / BRI-60NW1xDA  
(double asymmetrical)  
BRI-60NW1xF / BRI-60NW1xF (Flood)



## TECHNICAL NOTE



The leakage current of each luminaire is 0.9mA, therefore **do not operate more than 10 luminaires via an RCD (FI) circuit breaker 30mA!** Without RCD (FI) see circuit breaker information.

Luminaires which are divided on 3 phases and operated in higher number have an accordingly high inrush current! To protect switching actuators KNX etc., we recommend using current limiters or auxiliary relays on site.  
**See inrush current table.**

## INTENDED USAGE

This product will only serve the purpose of illumination.

## SCOPE OF DELIVERY

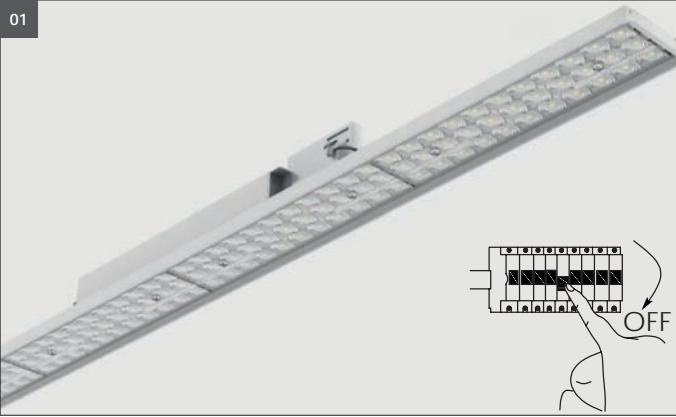
Linear LED track light with 3-phase adapter  
Set of instructions for assembly, operation and safety

address | contact

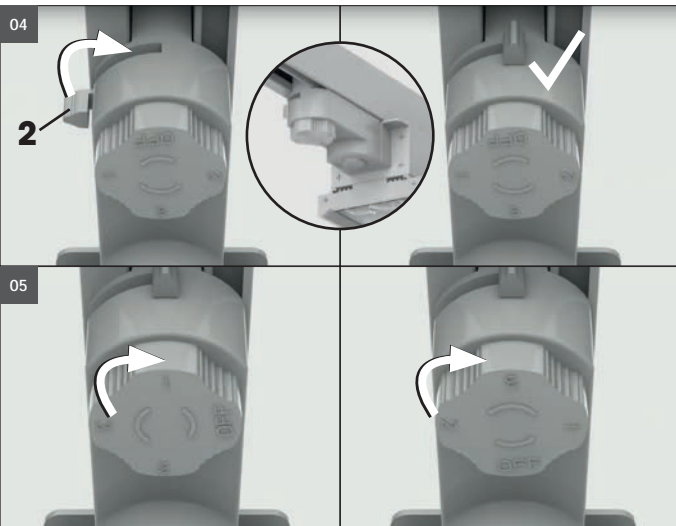
A.L.S. GmbH  
Mastorter Str. 31 | 88069 Tettnang (Germany)  
Tel.: +49 (0) 75 42 93 44-0 | Fax.: +49 (0) 75 42 93 44-30  
E-Mail: info@als.de | Web: www.als.de



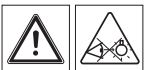
**Technical note: The leakage current of each luminaire is 0.9mA, therefore do not operate more than 10 luminaires via an RCD (Fi) circuit breaker 30mA! Without RCD (FI) see circuit breaker information.**



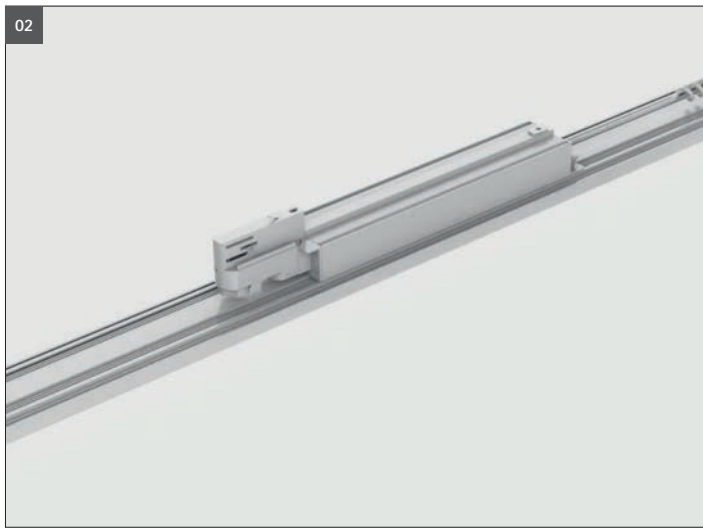
**01** Switch off before installation. Switch on only after complete installation and examination of the circuit. Professional electrician for installation and maintenance only. Turn Off power supply before starting any installation. Read instructions & check you have all the tools and accessories to complete the installation correctly.



**04** Lock the retaining latches **2** and check for tight fit of the light in the track.  
**05** Use the contact selector switch 1/2/3 to put the luminaire into operation.



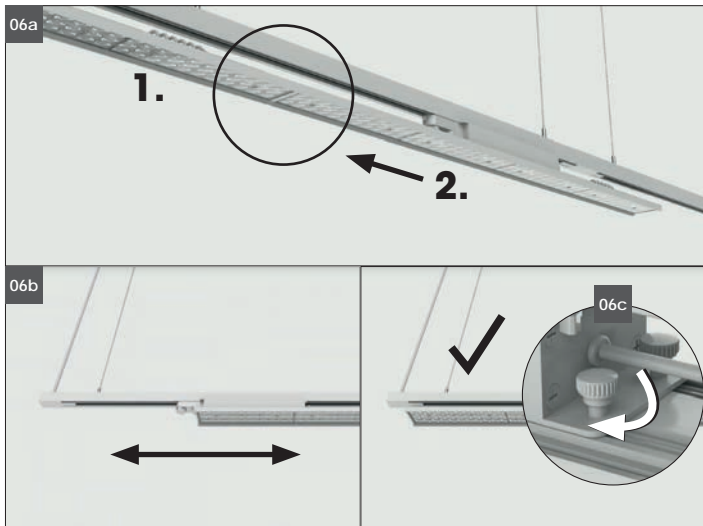
Avoid looking too long in the light exit near the light, they could damage your eyes.



**02** Check the adapter before inserting it, if all plastic locks and contacts are flush in the adapter! All interlocks and switching positions must be in zero position! Failure to do so will destroy the adapter and must not be used any more!

**Fixing materials:**

The warranty is void if the buyer or a third party repairs or modifies the luminaire.

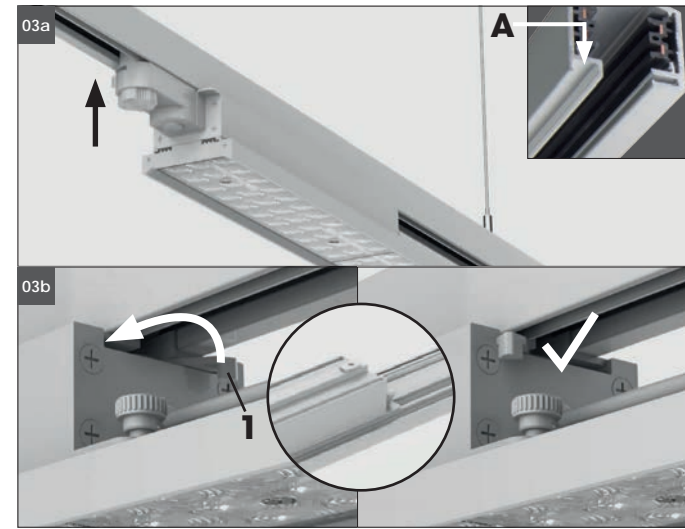


**06a** Several luminaires can be placed flush in succession.

**06b** Set the end position of the luminaire.

**06c** Fix with locking screws.

Another installation / assembly / materials / types than provided in the manual sheets, release us from any electrotechnical and electrostatic responsibility.



**Attention!** Adapter can only be installed in 3phase track in one direction. Locking mechanism must be placed on track side like marked with **A**.

**03a** Place the luminaire in the correct position with the track adapter.

**03b** Lock the retaining latches **1**.



**07 Do not attach any additional loads such as decorations and / or signs to the luminaire!**



Turn on the power.