

DESCRIPTION OF PARTS

LED Ceiling mounted luminaire
Dimensions: Ø100 mm, L135 mm
Body colour: Black or white

TECHNICAL DATA

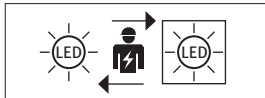
LED pendant luminaire 24W with converter 220-240V 50/60Hz
APLN-24NWxX = 4000K
APLN-24WWxX = 3000K
Beam angle: 24°
Protection class I
Not dimmable

LIGHT SOURCE

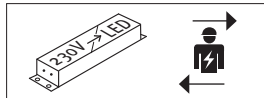
APLN-24NWxX
Light source: A.L.S. GmbH - CLU038-1205C4-403M2K1
This luminaire contains one light source of energy efficiency class **D**

APLN-24WWxX
Light source: A.L.S. GmbH - CLU038-1205C4-303M2K1
This luminaire contains one light source of energy efficiency class **E**

The product consists of two components. Luminaire with light source and external LED Driver.



The light source is only exchangeable by a professional.



The LED driver is only exchangeable by a professional.



Protection class I



Notification of Risks



CE label



Safety Instructions



The product is only for use in interiors.



Cleaning Instructions



The product may not be disposed of in the household garbage.



Installation only by qualified and authorised persons.



LED luminaire is not dimmable



Don't look directly into the LED! The LED is that bright that it might damage your eyes!

SAFETY



READ THE INSTRUCTIONS BEFORE USING THIS PRODUCT.
KEEP THE SAFETY AND OPERATING INSTRUCTIONS FOR FUTURE USE.

SAFETY INFORMATION



The light is only suitable for use in interiors, in dry, enclosed rooms.



Don't install under power.
Follow the instruction manual for installation.
Installation only by qualified and authorised persons.



Do not use the product when it has been damaged (defective covers) or there are operational faults such as flickering, smoking, steaming, crackling noises or the smell of smoke.
A damaged or defective product must be changed or repaired by the manufacturer, a service person or a comparable qualified person.
Installation only under observance of the valid guidelines specific to application and country among others VDE 0.100.
Never open one of the electrical operating agents or plug any objects into them. Such procedures signify a danger to life through electrical shock.
Absolutely avoid contact between the product and water or other liquids. For reasons of electrical safety, the light may not be placed in contact with water or other liquids or submerged in water.
The product may not be changed or modified.
Don't look directly into the LED! The LED is that bright that it might damage your eyes!



MAINTENANCE AND CLEANING



The light source is only exchangeable by a professional.
Do not use solvents, such as benzene and similar agents. The light would be damaged thereby.
Only use a dry, lint-free cloth for cleaning the product.

DISPOSAL



The packaging consists of environmentally friendly materials. Dispose of them in the local recycling containers.

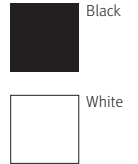
Do not dispose of this product in the household garbage when it has reached the end of its lifecycle, but rather take it to a disposal center. Your local officials will provide you with information about collection offices and their business hours.

APLN 24

LED surface-mounted ceiling luminaire
LED pendant luminaire

APLN-24NW1
APLN-24NW2
APLN-24WW1
APLN-24WW2

APLN-24NW31
APLN-24NW32
APLN-24WW31
APLN-24WW32



INTENDED USAGE

This product will only serve the purpose of illumination.

The light is only suitable for use indoors.

SCOPE OF DELIVERY

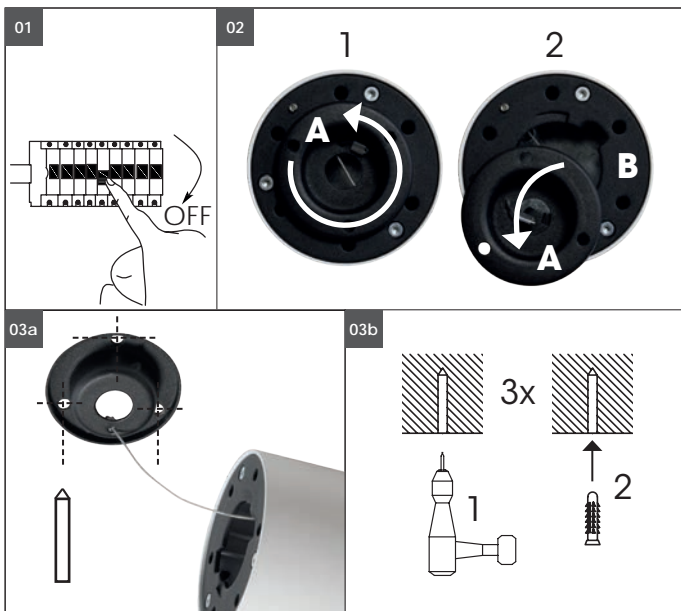
LED ceiling surface mounted luminaire / LED pendant luminaire
Screws and dowels
Set of instructions for assembly, operation and safety

TECHNICAL CHANGES

Changes in the sense of technical progress can be made without prior notice.

address | contact

A.L.S. GmbH
Mastorter Str. 31 | 88069 Tettnang (Germany)
Tel.: +49 (0) 75 42 93 44-0 | Fax.: +49 (0) 75 42 93 44-30
E-Mail: info@als.de | Web: www.als.de



Assembly instructions ceiling mounting



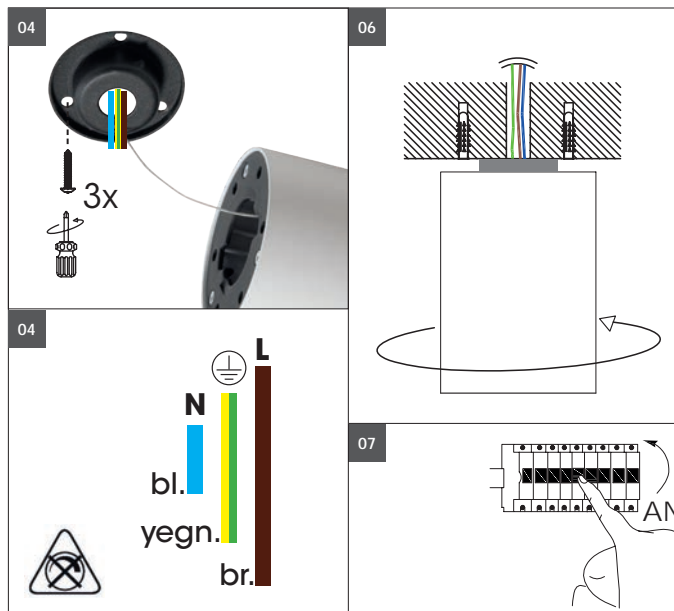
Turn Off power supply before starting any installation!
Do not connect the device under power!

Carefully remove the LED luminaire from its packaging.
 Check for damage and complete scope of delivery.

01 Schalten Sie vor der Montage und dem Anschluss die Netzspannung allpolig ab. Schalten Sie dazu den zugehörigen Sicherungsautomaten ab bzw. drehen Sie die Sicherung heraus. Schalten Sie außerdem den zugehörigen FI-Schutzschalter ab, so dass die Netzleitung allpolig von der Netzspannung getrennt ist. Sichern Sie diese vor versehentlichem Einschalten mit einem Warnschild o.ä. ab. Überprüfen Sie anschließend die Netzleitung zur Leuchte auf Spannungsfreiheit, verwenden Sie dazu ein geeignetes Messgerät (z.B. Digitalmultimeter).

02 Turn the mounting ring (A) to the left and lift it off the luminaire housing (B).

03a Transfer the drilling positions of the fastening ring to the ceiling.
03b Drill holes in the ceiling and attach dowels. **Check for underlying installations before drilling!**



04 Fasten the mounting ring to the ceiling.

05 Connect the supply cable to the cable connection terminals of the luminaire L, N, PE according to the electrical DIN VDE 0100 regulations.

06 Insert the luminaire housing into the mounting ring and tighten to the right. Check that it is firmly fixed.

07 After installation and connection, switch on all poles of the mains voltage. To do this, switch on the associated circuit breaker or turn on the fuse. Also switch on the associated residual current circuit breaker so that all poles of the mains supply line are connected to the mains voltage.



Another installation / assembly / materials / types than provided in the manual sheets, release us from any electrotechnical and electrostatic responsibility.

Fixing materials:

The warranty is void if the buyer or a third party repairs or modifies the luminaire.



Looking into the light output for too long can damage the eyes!

Assembly instructions pendant mounting

