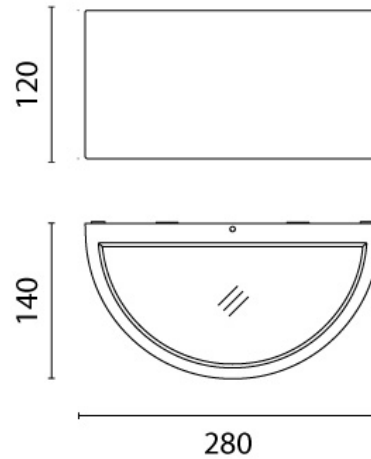


MELMA-2617E



quantity lamps: 1

Light up with: TC-TEL GX24q-3

System power: 26 W

Power supply: EVG

protection class: 1

mechanical load: IK09

weight: 2,123 kg

colour: light grey

version: 1 emission

protection type: IP65

dimension: L=200*W=110*H=110 mm

Adresse/Kontakt