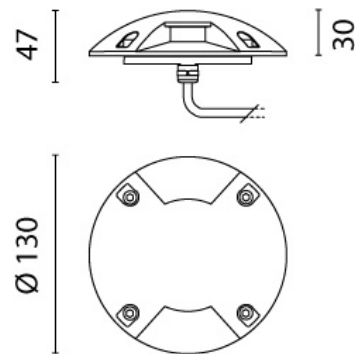


KAM130-2WW6



quantity lamps: 2

Light up with: SMD LED

System power: 2 W

Luminous flux: 2x34 lm

colour temperature: 3000 K

colour rendering index: CRI >80

Power supply: EVG

connection voltage: max 240 V

connected load: 5 W

system efficiency: 14 lm/W

energy efficiency: A++-A

protection class: 2

test certificates: CE

mechanical load: IK09

outside diameter: 130 mm

wall and ceiling cut: 225x128 mm

installation depth: 85 mm

weight: 0,60 kg

colour: anthracite

version: 2 emissions

protection type: IP67

Adresse/Kontakt