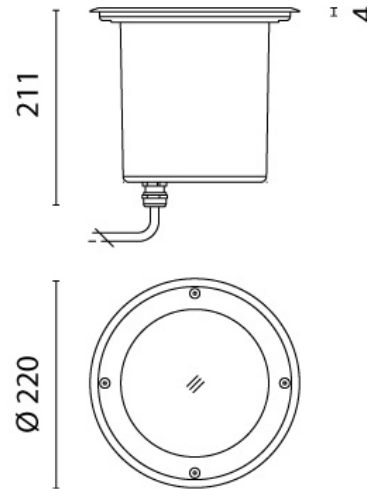


IDRAS-9NW0



quantity lamps: 9
Light up with: POWER LED
System power: 9 W
Luminous flux: 728 lm
colour temperature: 4000 K
colour rendering index: CRI >80
beam angle: 35 °
pivotable: 10 °
Power supply: EVG
connection voltage: max 240 V
connected load: 12 W
system efficiency: 60 lm/W
energy efficiency: A++-A
protection class: 1
test certificates: CE
mechanical load: IK09
outside diameter: 220 mm
installation depth: 270 mm
colour: stainless steel
surface: stainless steel
version: transparent/adjustable
dimension: H=211 mm
protection type: IP67

Adresse/Kontakt