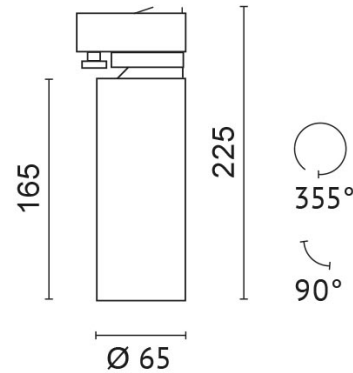


SLC-18SW11F



Light up with: CoB-LED

System power: 17 W

Luminous flux: 1339 lm

colour temperature: 2700 K

colour rendering index: CRI >90

beam angle: 36 °

pivotable: 90 °

Power supply: with power supply

connection voltage: 220-240 V

system efficiency: 79 lm/W

energy efficiency: A++-A

protection class: 2

test certificates: CE

outside diameter: 65 mm

colour: white

material: body in coated die-cast-aluminium, clear glass

version: EUTRAC®-3-phase-adapter

INFO*: dimmable version, DALI or surface mounted with ceiling rose on request

dimension: H=165/225 mm

Adresse/Kontakt