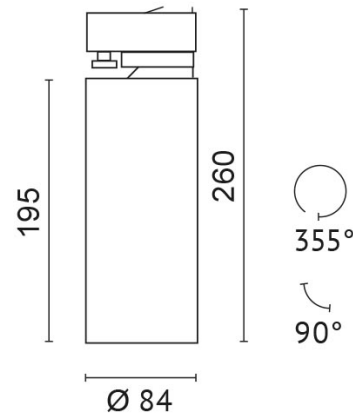


## SLC-30WW11S



**Light up with:** CoB-LED

**System power:** 26 W

**Luminous flux:** 2260 lm

**colour temperature:** 3000 K

**colour rendering index:** CRI >90

**beam angle:** 15 °

**pivotable:** 90 °

**Power supply:** with power supply

**connection voltage:** 220-240 V

**system efficiency:** 87 lm/W

**energy efficiency:** A++-A

**protection class:** 2

**test certificates:** CE

**outside diameter:** 84 mm

**colour:** white

**material:** body in coated die-cast-aluminium, clear glass

**version:** EUTRAC®-3-phase-adapter

**INFO\*:** dimmable version, DALI or surface mounted with ceiling rose on request

**dimension:** H=195/260 mm

### Adresse/Kontakt