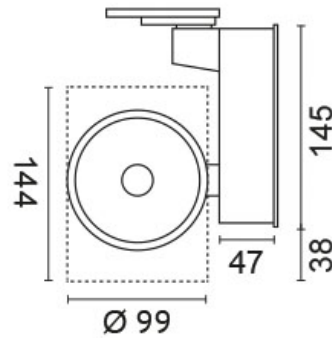


BWS-40WW12F



quantity lamps: 1

Light up with: CoB-LED

System power: 40 W

Luminous flux: 3608 lm

colour temperature: 3000 K

colour rendering index: CRI >90

beam angle: 40 °

pivotable: 130 °

Power supply: with power supply

connection voltage: 220-240 V

operating current: 1050 mA

connected load: 39 W

system efficiency: 90 lm/W

energy efficiency: A++-A

protection class: 1

test certificates: CE

outside diameter: 99 mm

weight: 1,60 KG

colour: black

dimension: L=144 mm

UGR*: 18,75

Adresse/Kontakt